

QFoca Tactical Connectors



**QPC is ISO 9001:2015 and
AS9100D Certified**

Military Aerospace Shipboard Industrial Mining Transportation Oil & Gas Broadcast Manufacturing Marine Energy Medical



Contents	
Product Introduction	Page 1
Specifications	Page 2
Part Number Builders	Page 3 - 6
QFoca Insert / Key Layouts	Page 7 - 9
QFoca 1-1/16" Shell Plug Line Drawings	Page 10 - 11
QFoca 1-1/16" Shell Receptacle Line Drawings	Page 12 - 17
QFoca 1-1/16" Receptacle Panel Mount Cutouts	Page 18
QFoca 1-5/8" Shell Plug Line Drawings	Page 19 - 20
QFoca 1-5/8" Shell Receptacle Line Drawings	Page 21 - 26
QDrive 12CH Hybrid Plug & Receptacle Line Drawings	Page 27 - 28
QFoca 1-5/8" Receptacle Panel Mount Cutouts	Page 29
Strain Relief Options	Page 30 - 31
Termini, Accessories & Tools	Page 32 - 36

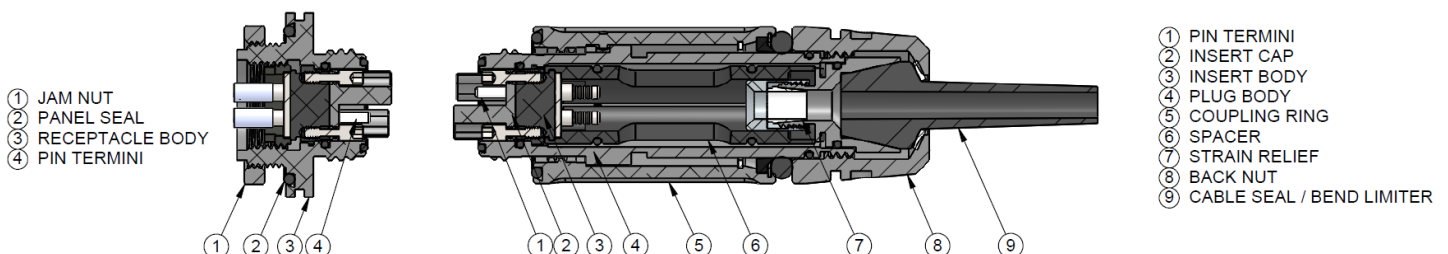


QPC's QFoca Hermaphroditic Tactical Connector Line is engineered for Harsh Environment and Military Ground Tactical applications. The QFoca 4 Channel version was designed to meet the requirements of MIL-PRF-83526/16 & /17 Military Specifications.

The QFoca is highly versatile connector system. It is available in two shell sizes, 1-1/16" or 1-5/8", and can be configured with inserts, termini, and contacts that are intermateable with a variety of similar connectors in the industry. QFoca is hermaphroditic allowing multiple plug-to-plug cable assemblies to be combined to extend the length of the system as needed. QFoca Connectors accept a wide range of cable diameters using molded boots and wire mesh cable grips.

QFoca connectors are used in Military Ground Tactical, Aerospace Ground Communications, Oil & Gas, Mining, Factory Automation, Heavy Equipment, Broadcast, Audio / Video, and Sensing Applications.

- 4Ch - 24Ch Hermaphroditic Physical Contact Connector System
- Available with Molded Boots (QFoca) or Wire Mesh Cable Grip Options (QFoca-G1)
- Receptacles available in Jam Nut and Flange Mount; Internal and External Mount; with or without Backshells
- Cable OD: 1-1/16" Shell up to 0.61" (15.5mm) / 1-5/8" Shell up to .98" (25.0mm)
- 4Ch version designed to MIL-DTL-83526/16 (Plug) & MIL-DTL-83526/17 (Jam Nut Receptacle)
- QFoca Intermateability: Amphenol TFOCA-II, OCC TFOCA 2, Stran TFOCA GenX, Available in 4 and 12 Channels
- QFoca-EZ Intermateability: OCC EZ Mate; Available in 4, 6, 12, and 24 Channels
- QFoca3 Intermateability: Amphenol TFOCA-III, Available in 6 and 24 Channels
- QDrive Intermateability: Amphenol RigLinQ, Stran GenX Hybrid available in 12 Channels (8 x Fiber + 4 x 12AWG Copper)
- Sealed to IP68



Specifications:

Insertion Loss: SM (9/125µm)	0.10-0.75dB Max. (0.40dB Typical)
MM (50/125µm)	0.10-0.75dB Max. (0.30dB Typical)
MM (62.5/125µm)	0.10-0.75dB Max. (0.30dB Typical)
Return Loss: SM (9/125µm)	-40dB PC; -55dB UPC
Operating Temperature:	-46°C to +71°C
Storage Temperature:	-55°C to +85°C
Vibration:	10 to 2000Hz / 15g EIA/TIA-455-11; Cond. III
Mating Durability:	2000 Cycles
Impact:	8 Impacts @ 8FT (2.4MT); EIA/TIA-455-2
Shock:	50g for 11ms; EIA/TIA-455-14; Condition A
IP Rating:	IP68 - Dust Tight; No ingress of dust; complete protection against contact; Water Immersion Beyond 1 Meter Testing Conditions & Duration – Plug with Dust Cover and Mated Plug / Receptacle, 3 Meters for 24 Hours
Material & Plating Specification:	<p>Hard Anodize: 6061-T6 Aluminum; Anodize per MIL-A-8625 TYPE III CLASS 2; .0022/.0018 Thick (50% Penetration); Black</p> <p>ZINC-NICKEL: 6061-T6 Aluminum; Electroless Nickel plate .00035/.00030 per AMS-C-26074 Followed by Zinc Nickel Plate .0004/.0003 per AMS 2417H type 2 Followed by Zinc Strike .00015 / .00005 per ASTM B 633 Followed by Dark Green Olive Drab Chromate Conversion Coating</p> <p>ZINC-NICKEL: 6061-T6 Aluminum; Electroplate with Bronze-Colored Chromate Conversion Coating. IAW SAE-AMS-2417 TYPE 2; .000300 TO .000400 inch Thick over Electroless Nickel Plate IAW MIL-C-26074 Class 4; .000300 TO .000350 inch Thick over Zincate IAW ASTM B253.</p> <p>Stainless Steel: 303 Stainless Steel; Passivate Per QQ-P-35</p>
Cable Retention:	400lbs – Cable retention depends on cable type

Specifications Notes:

* All Dimensions in this document are shown in Inches (Millimeters)

Part Number Builder; QFoca Plugs and Receptacles:

Sample Part Number: QFOCA-PHHZ-04CH-1-S075	QFOCA	-	PH	H	Z	-	04CH	-	1	-	S075
1 <u>Series</u> QFOCA - MOLDED BOOT QFOCA-G1 - WIRE MESH CABLE GRIP											
2 <u>Connector Type</u> PH - PLUG RF - RECP FLANGE, EXTERNAL MOUNT RG - RECP FLANGE, INTERNAL MOUNT RH - RECP FLANGE, EXTERNAL MOUNT W/BACKSHELL RI - RECP FLANGE, INTERNAL MOUNT W/BACKSHELL RJ - RECP JAM NUT, EXTERNAL MOUNT RK - RECP JAM NUT, INTERNAL MOUNT RL - RECP JAM NUT, EXTERNAL MOUNT W/BACKSHELL RM - RECP JAM NUT, INTERNAL MOUNT W/BACKSHELL											
3 <u>Dust Cover Type</u> H - HERMAPHRODITIC DUST COVER F - FEMALE DUST COVER S - SHROUD, EXTENDED FEMALE DUST COVER											
4 <u>Material & Finish Code</u> N - ALUMINUM - BLACK, HARD ANODIZE Z - ALUMINUM - ZINC OVER NICKEL, OLIVE DRAB R - ALUMINUM - ZINC OVER NICKEL, BRONZE S - STAINLESS STEEL (CONSULT QPC FOR OTHER OPTIONS)											
5 <u>Channel Count</u> 04CH - 4 CHANNEL (2x PIN & 2x SOCKET TERMINI) 12CH - 12 CHANNEL (6x PIN & 6x SOCKET TERMINI)											
6 <u>Insert Cap Key</u> 1 - KEY CONFIGURATION 1 2 - KEY CONFIGURATION 2 3 - KEY CONFIGURATION 3 U - KEY CONFIGURATION UNIVERSAL											
7 <u>Strain Relief Identifier</u> See Table I, Table II, or Table III											

Part Number Builder Notes:

- * 4Ch and 12Ch QFoca Connectors use Termini with 2.5mm Ferrules
- * 4Ch QFoca uses the 1-1/16" (1.0625") QFoca Shell
- * 12Ch QFoca uses the 1-5/8" (1.6250") QFoca Shell
- * See QFoca Insert / Key Layout Details on Page 7
- * For Spare Termini, Replacement Insert Caps, and Replacement Dust Covers ordering information, see Pages 32-34
- * QPC offers QFoca Connectors with a Mesh Grip and Hawke Gland (QFOCA-G2) and with a Mesh Grip and a Bonding Strain Relief (QFOCA-K1)

Part Number Builder; QFoca-EZ Plugs and Receptacles:

Sample Part Number: QFOCA-EZ-PHHN-04CH-S075	QFOCA-EZ	-	PH	H	N	- 04CH	- S075
1 Series QFOCA-EZ - MOLDED BOOT QFOCA-G1-EZ - WIRE MESH CABLE GRIP							
2 Connector Type PH - PLUG RF - RECP FLANGE, EXTERNAL MOUNT RG - RECP FLANGE, INTERNAL MOUNT RH - RECP FLANGE, EXTERNAL MOUNT W/BACKSHELL RI - RECP FLANGE, INTERNAL MOUNT W/BACKSHELL RJ - RECP JAM NUT, EXTERNAL MOUNT RK - RECP JAM NUT, INTERNAL MOUNT RL - RECP JAM NUT, EXTERNAL MOUNT W/BACKSHELL RM - RECP JAM NUT, INTERNAL MOUNT W/BACKSHELL							
3 Dust Cover Type H - HERMAPHRODITIC DUST COVER F - FEMALE DUST COVER S - SHROUD, EXTENDED FEMALE DUST COVER							
4 Material & Finish Code N - ALUMINUM - BLACK, HARD ANODIZE Z - ALUMINUM - ZINC OVER NICKEL, OLIVE DRAB R - ALUMINUM - ZINC OVER NICKEL, BRONZE S - STAINLESS STEEL (CONSULT QPC FOR OTHER OPTIONS)							
5 Channel Count 04CH - 4 CHANNEL (2x PIN & 2x SOCKET TERMINI) 06CH - 6 CHANNEL (3x PIN & 3x SOCKET TERMINI) 12CH - 12 CHANNEL (6x PIN & 6x SOCKET TERMINI) 24CH - 24 CHANNEL (12x PIN & 12x SOCKET TERMINI)							
6 Strain Relief Identifier See Table I, Table II, or Table III							

Part Number Builder Notes:

- * 4Ch and 12Ch QFoca-EZ Connectors use Termini with 2.5mm Ferrules
- * 6Ch and 24Ch QFoca-EZ Connectors use Termini with 2.0mm Ferrules
- * 4Ch and 6Ch QFoca-EZ use the 1-1/16" (1.0625") QFoca Shell
- * 12Ch and 24Ch QFoca-EZ use the 1-5/8" (1.6250") QFoca Shell
- * See QFoca-EZ Insert Layout Details on Page 8
- * For Spare Termini, Replacement Insert Caps, and Replacement Dust Cover ordering information, see Pages 32-34
- * QPC offers QFoca EZ Connectors with a Mesh Grip and Hawke Gland (QFOCA-EZ-G2) and with a Mesh Grip and a Bonding Strain Relief (QFOCA-EZ-K1)

Part Number Builder; QFoca3 Plugs and Receptacles:

Sample Part Number: QFOCA3-PHHZ-24CH-1-S095	QFOCA3	-	PH	H	Z	-	24CH	-	1	-	S095
1 Series QFOCA3 - MOLDED BOOT QFOCA3-G1 - WIRE MESH CABLE GRIP											
2 Connector Type PH - PLUG RF - RECP FLANGE, EXTERNAL MOUNT RG - RECP FLANGE, INTERNAL MOUNT RH - RECP FLANGE, EXTERNAL MOUNT W/BACKSHELL RI - RECP FLANGE, INTERNAL MOUNT W/BACKSHELL RJ - RECP JAM NUT, EXTERNAL MOUNT RK - RECP JAM NUT, INTERNAL MOUNT RL - RECP JAM NUT, EXTERNAL MOUNT W/BACKSHELL RM - RECP JAM NUT, INTERNAL MOUNT W/BACKSHELL											
3 Dust Cover Type H - HERMAPHRODITIC DUST COVER F - FEMALE DUST COVER S - SHROUD, EXTENDED FEMALE DUST COVER											
4 Material & Finish Code N - ALUMINUM - BLACK, HARD ANODIZE Z - ALUMINUM - ZINC OVER NICKEL, OLIVE DRAB R - ALUMINUM - ZINC OVER NICKEL, BRONZE S - STAINLESS STEEL (CONSULT QPC FOR OTHER OPTIONS)											
5 Channel Count 06CH - 6 CHANNEL (3x PIN & 3x SOCKET TERMINI) 24CH - 24 CHANNEL (12x PIN & 12x SOCKET TERMINI)											
6 Insert Cap Key 1 - KEY CONFIGURATION 1 2 - KEY CONFIGURATION 2 3 - KEY CONFIGURATION 3 U - KEY CONFIGURATION UNIVERSAL											
7 Strain Relief Identifier See Table I, Table II, or Table III											

Part Number Builder Notes:

- * QFoca3 Connectors use Termini with 1.25mm Ferrules
- * 6Ch QFoca3 uses the 1-1/16" (1.0625") QFoca Shell
- * 24Ch QFoca3 uses the 1-5/8" (1.6250") QFoca Shell
- * See QFoca3 Insert / Key Layout Details on Page 9
- * For Spare Termini, Replacement Insert Caps, and Replacement Dust Cover ordering information, see Pages 32-34
- * QPC offers QFoca3 Connectors with a Mesh Grip and Hawke Gland (QFOCA3-G2) and with a Mesh Grip and a Bonding Strain Relief (QFOCA3-K1)

Part Number Builder; QDrive Plugs and Receptacles:

Sample Part Number: QDRIVE-G1-PHHN-12CH-G205	QDRIVE-G1	-	PH	H	N	-	12CH	-	G205
1 Series QDRIVE-G1									
2 Connector Type PH - PLUG RH - RECP FLANGE, EXTERNAL MOUNT W/BACKSHELL									
3 Dust Cover Type H - HERMAPHRODITIC DUST COVER S - SHROUD, EXTENDED FEMALE DUST COVER									
4 Material & Finish Code N - ALUMINUM - BLACK, HARD ANODIZE S - STAINLESS STEEL (CONSULT QPC FOR OTHER OPTIONS)									
4 Channel Count 12CH - 12 CHANNEL (Fiber Optic Termini: 4x Pins & 4x Skts / 12 AWG Power: 2x Pins & 2x Skts)									
5 Strain Relief Identifier See Table II									

Part Number Builder Notes:

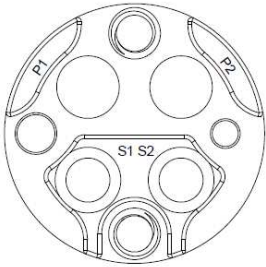
- * QDrive Connectors use Termini with 2.5mm Ferrules
- * QDrive uses the 1-5/8" (1.6250") QFoca Shell
- * QDrive is only available with Strain Relief Sizes G175, G190, G205, G220, G235, and G250
- * See QDrive Insert Layout Details on Page 9
- * For Spare Termini, Replacement Insert Caps, and Replacement Dust Cover ordering information, see Pages 32-34
- * QPC offers QDrive Connectors with a Mesh Grip and Hawke Gland (QDrive-G2) and with a Mesh Grip and a Bonding Strain Relief (QDrive-K1)

Specifications: QDrive Power Contacts	
Contact Size:	Size 12 (2.4mm)
Wire Size Range:	14 to 12 AWG
Current Rating:	26A ¹
Voltage:	600V
Contact	≤ 5mΩ
Plating:	Min 0.4μ Gold all over, over Nickel

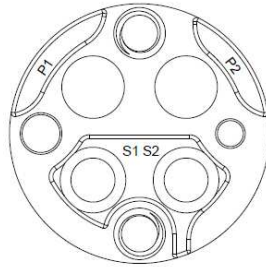
Specifications Notes:

¹ Current rating listed is for contacts, check wire rating for maximum.

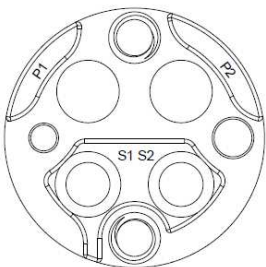
QFoca 4Ch Insert / Key Layouts:



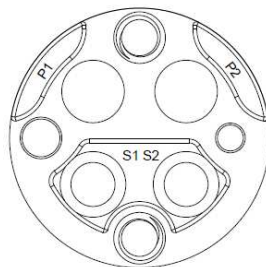
KEY 1



KEY 2

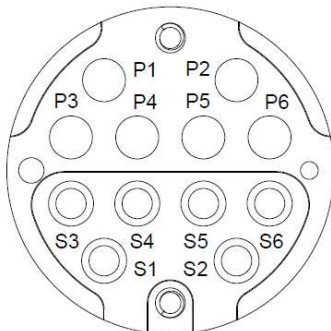


KEY 3

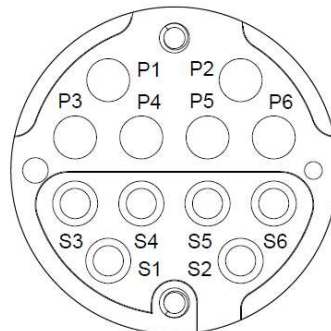


KEY U

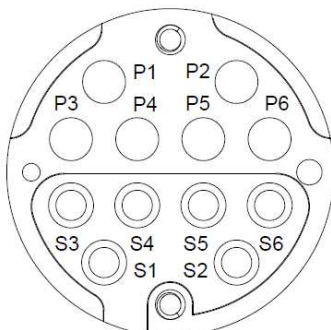
QFoca 12Ch Insert / Key Layouts:



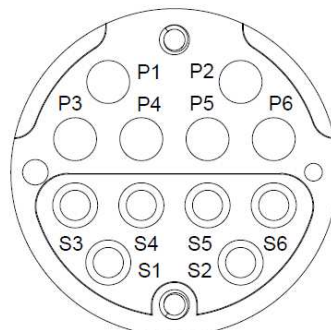
KEY 1



KEY 2

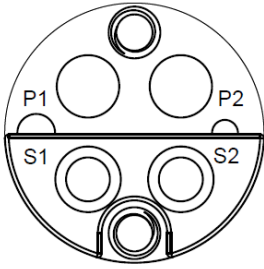


KEY 3

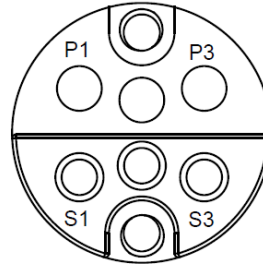


KEY U

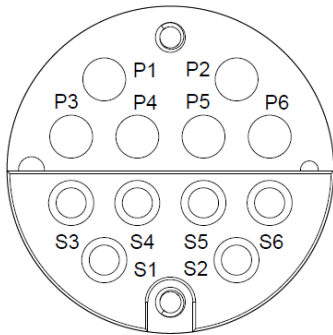
QFoca-EZ 4Ch Insert



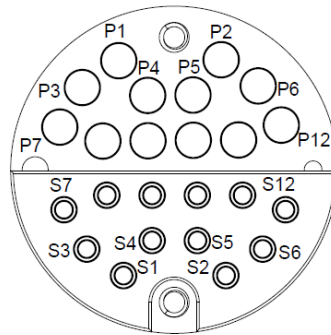
QFoca-EZ 6Ch Insert



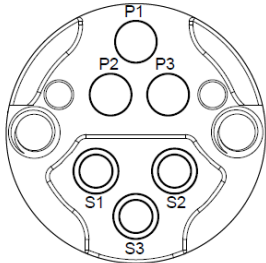
QFoca-EZ 12Ch Insert



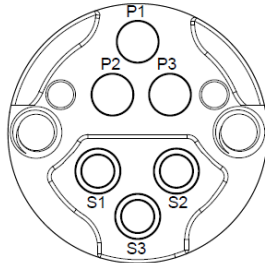
QFoca-EZ 24Ch Insert



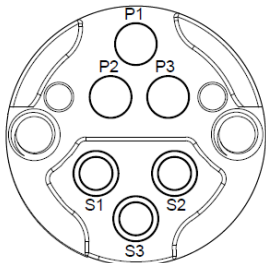
QFoca3 6Ch Insert / Key



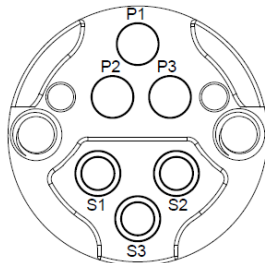
KEY 1



KEY 2

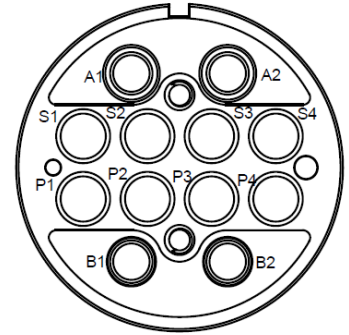


KEY 3

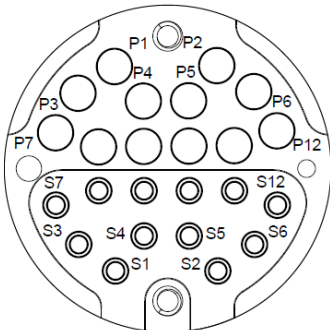


KEY U

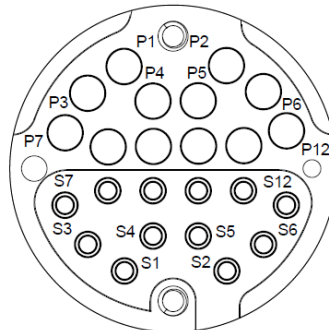
QDrive Insert



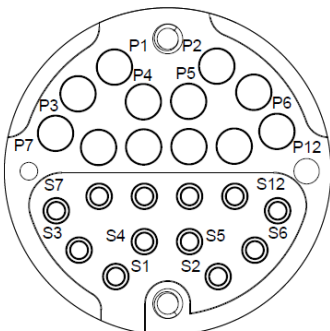
QFoca3 24Ch Insert / Key Layouts:



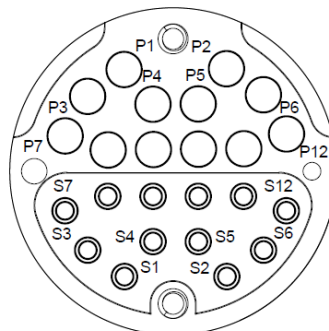
KEY 1



KEY 2



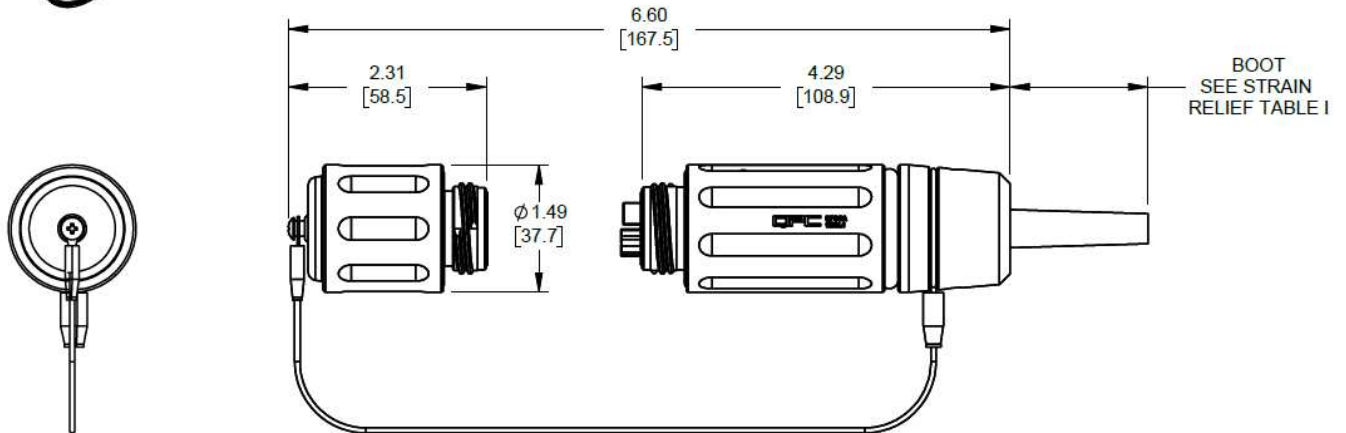
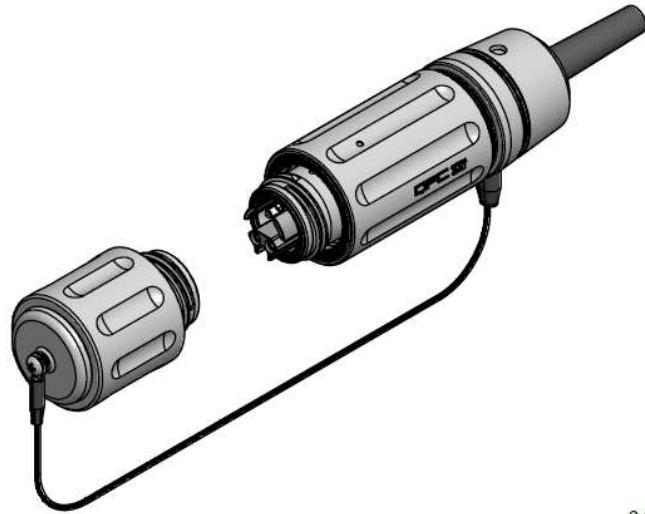
KEY 3



KEY U

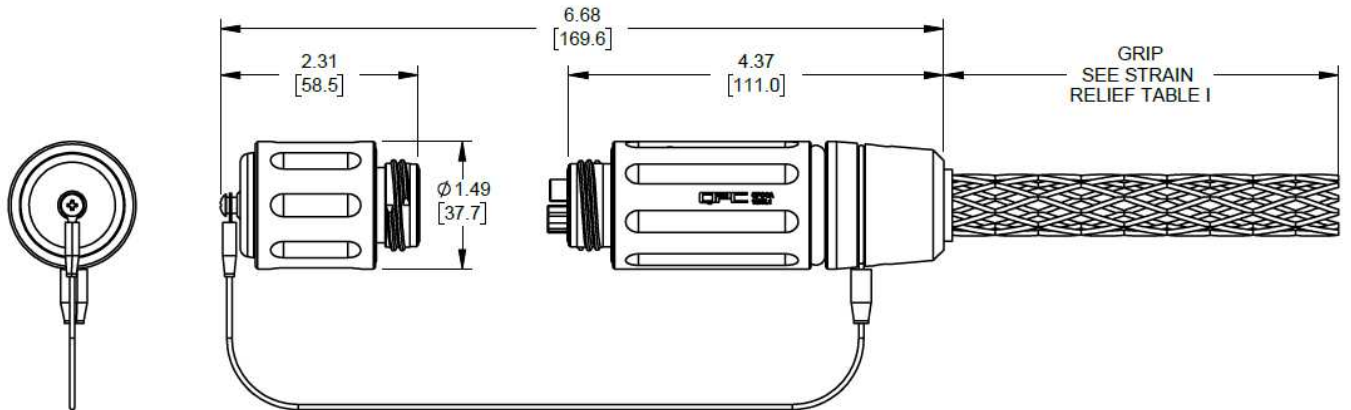
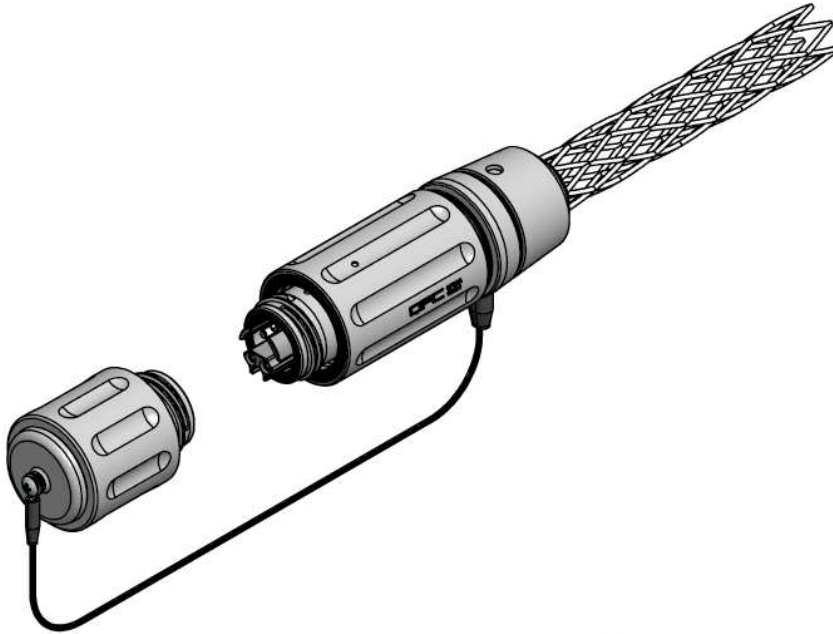
QFoca; Plug; 1-1/16" Shell; Hermaphroditic; Backshell; Hermaphroditic Dust Cover:

QFOCAX-PHHX-0XCH-X-SXXX



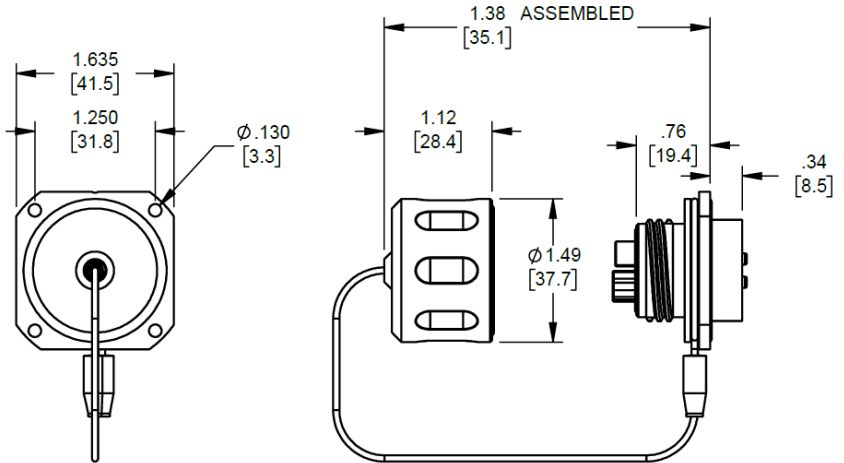
QFoca-G1; Plug; 1-1/16" Shell; Hermaphroditic; Backshell; Mesh Grip; Hermaphroditic Dust

QFOCAX-G1-PHHX-0XCH-X-GXXX



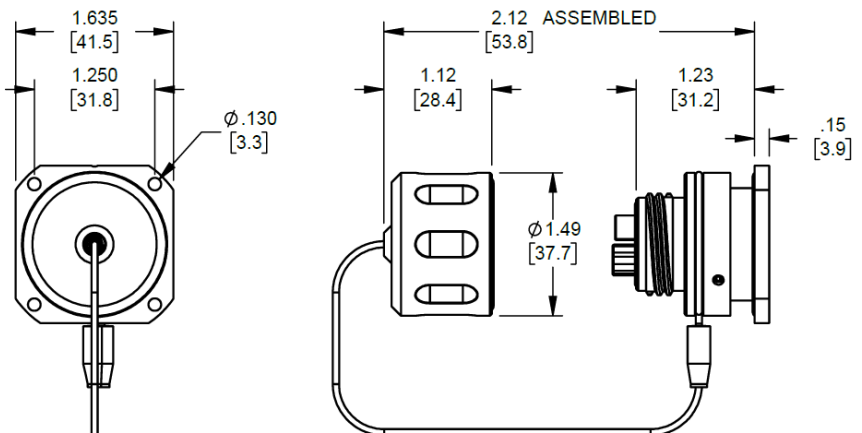
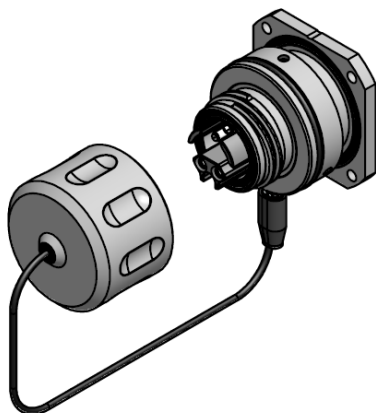
QFoca; Receptacle; 1-1/16" Shell; Flange; External Mount; Female Dust Cover:

QFOCAX-RFFX-0XCH-X-S0X



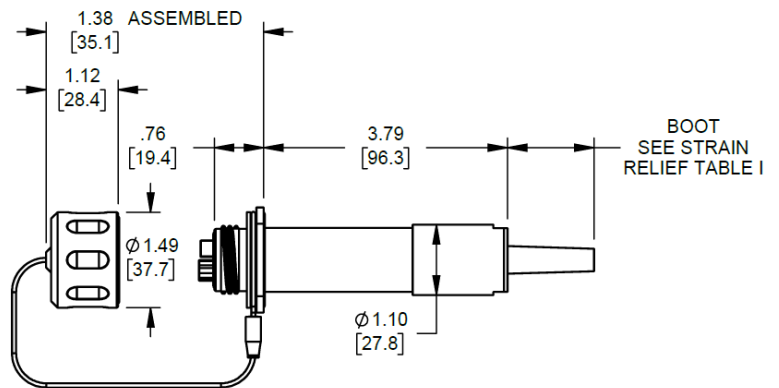
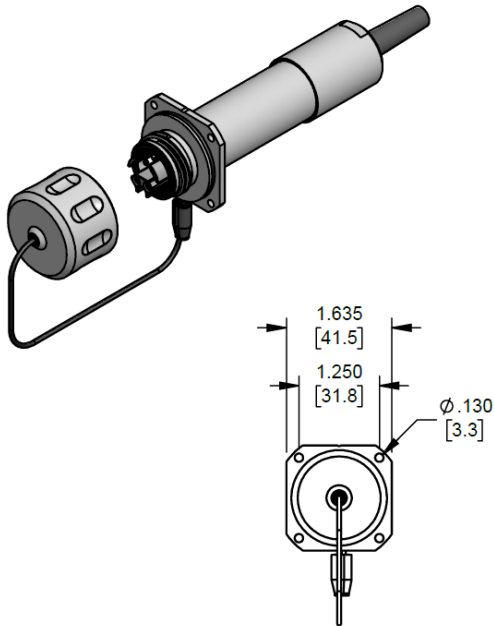
QFoca; Receptacle; 1-1/16" Shell; Flange; Internal Mount; Female Dust Cover:

QFOCAX-RGFX-0XCH-X-S0X



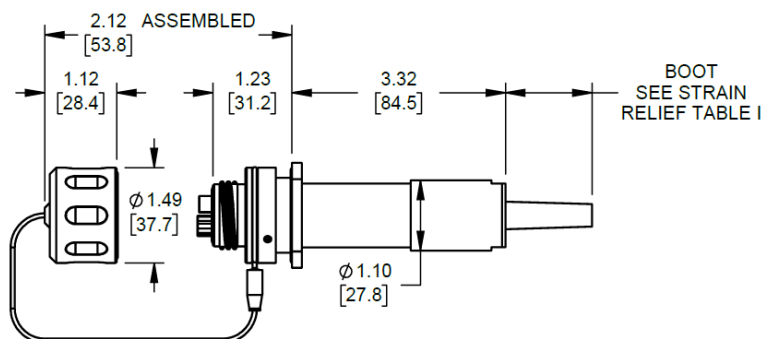
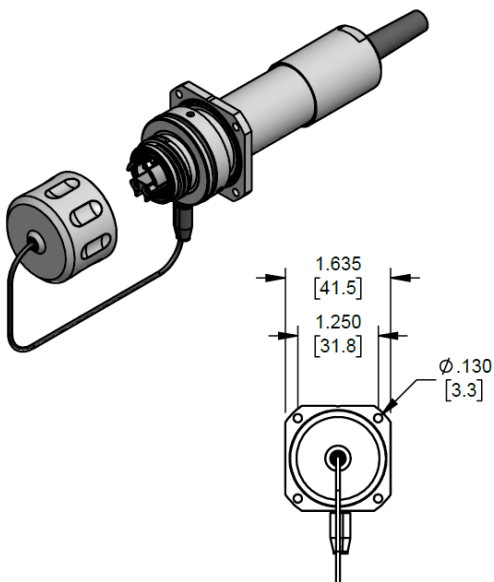
QFoca; Receptacle; 1-1/16" Shell; Flange; External Mount; Backshell; Female Dust Cover:

QFOCAX-RHFX-0XCH-X-SXXX



QFoca; Receptacle; 1-1/16" Shell; Flange; Internal Mount; Backshell; Female Dust Cover:

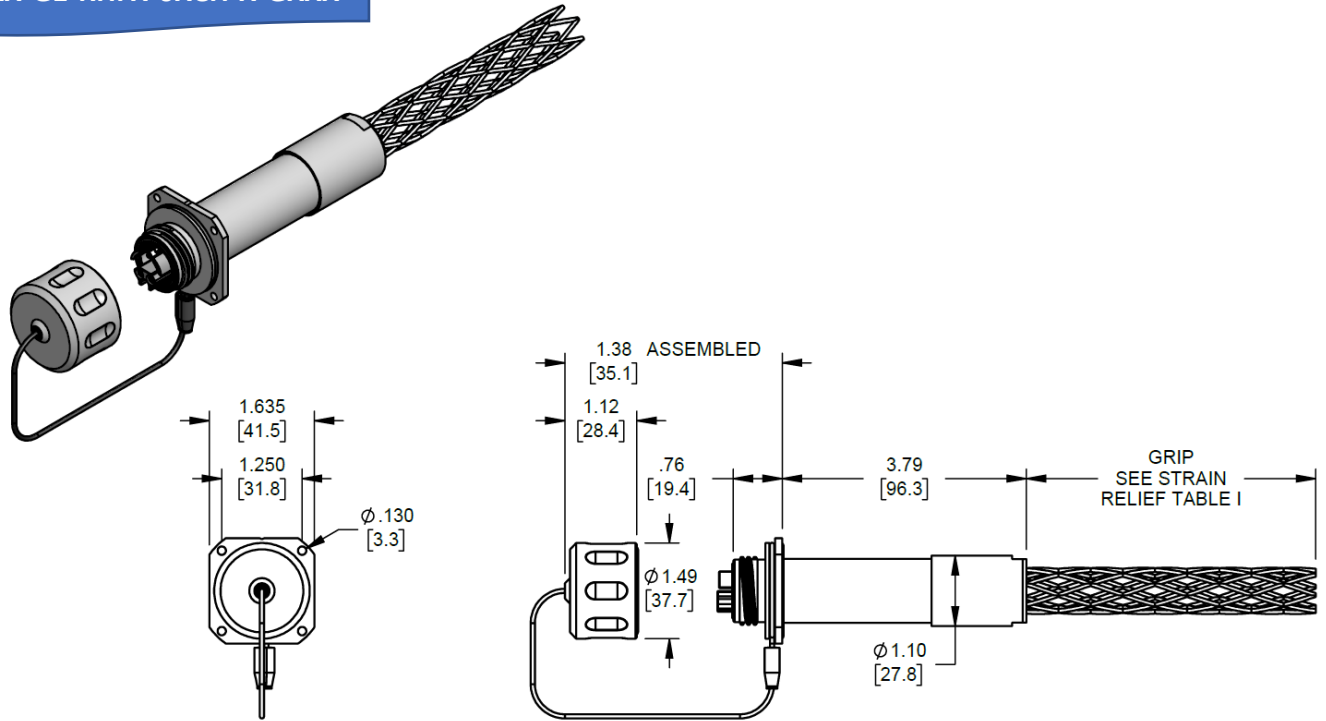
QFOCAX-RIFX-0XCH-X-SXXX



QFoca Hermaphroditic Tactical Connectors

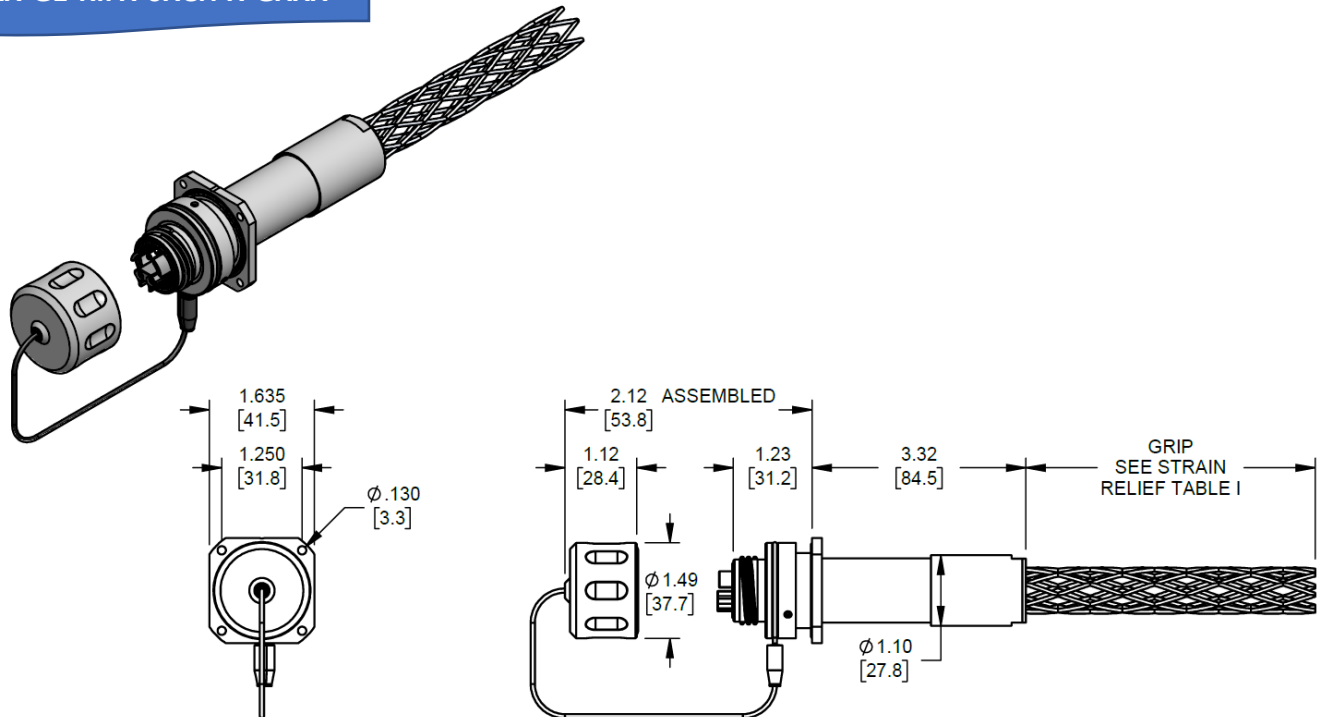
QFoca-G1; Receptacle; 1-1/16" Shell; Flange; External Mount; Backshell; Mesh Grip; Female Dust Cover:

QFOCAX-G1-RHFX-0XCH-X-GXXX



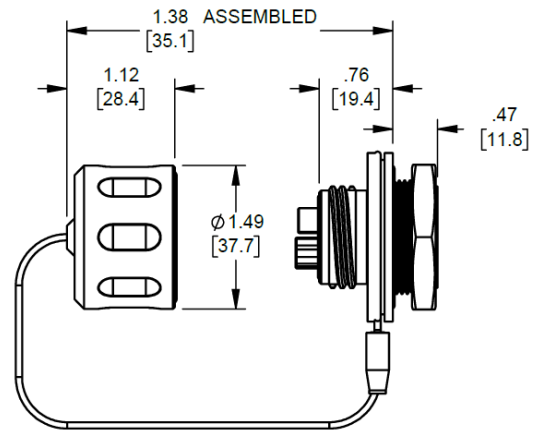
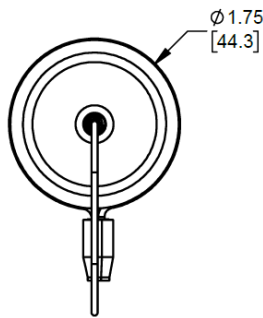
QFoca-G1; Receptacle; 1-1/16" Shell; Flange; Internal Mount; Backshell; Mesh Grip; Female Dust Cover:

QFOCAX-G1-RIFX-0XCH-X-GXXX



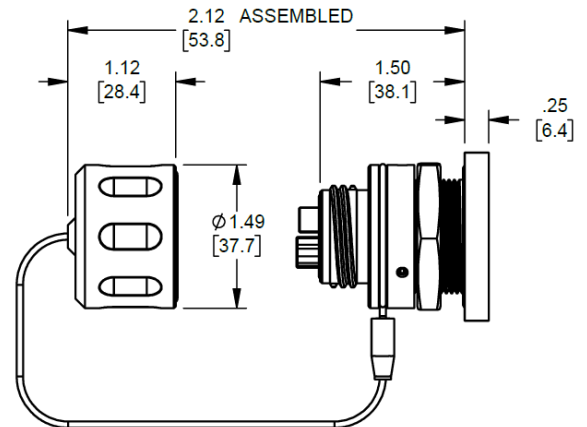
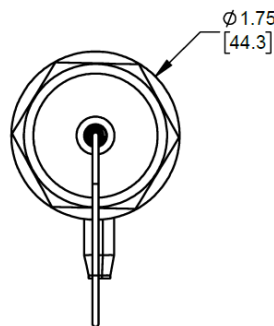
QFoca; Receptacle; 1-1/16" Shell; Jam Nut; External Mount; Female Dust Cover:

QFOCAX-RJFX-0XCH-X-S0X



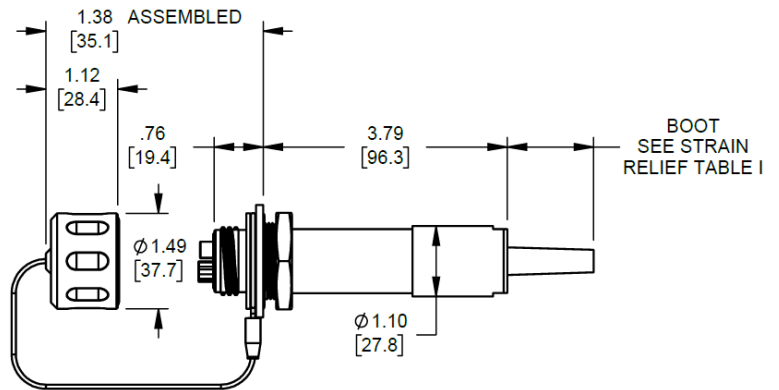
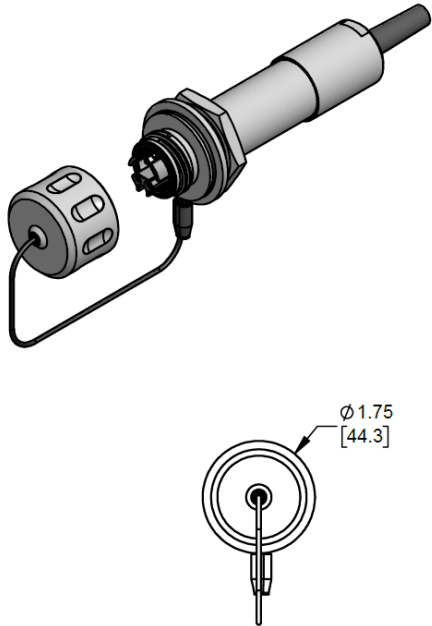
QFoca; Receptacle; 1-1/16" Shell; Jam Nut; Internal Mount; Female Dust Cover:

QFOCAX-RKFX-0XCH-X-S0X



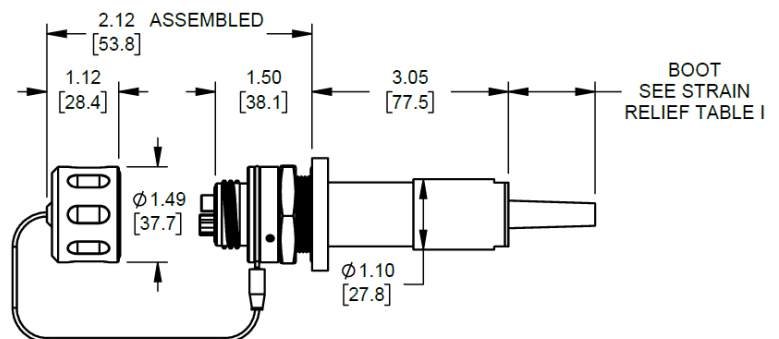
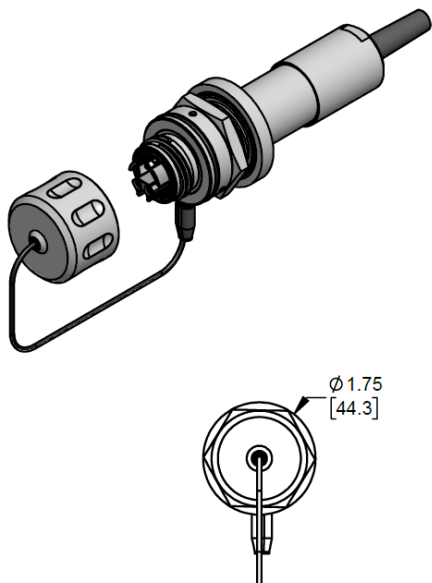
QFoca; Receptacle; 1-1/16" Shell; Jam Nut; External Mount; Backshell; Female Dust Cover:

QFOCAX-RLFX-0XCH-X-SXXX



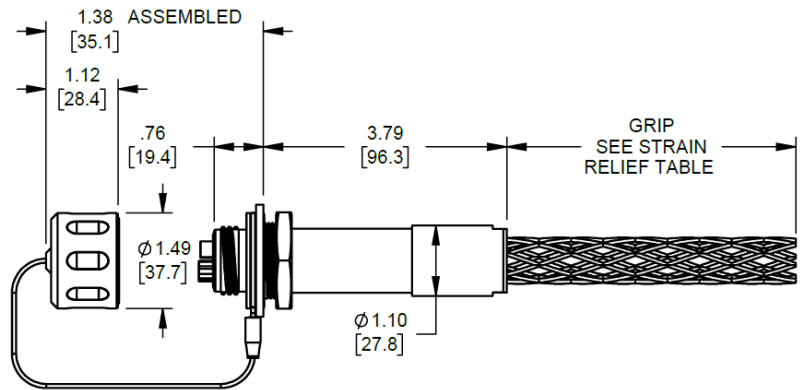
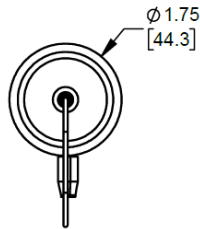
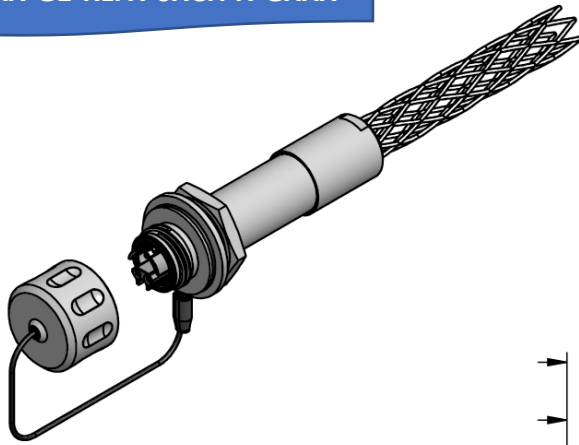
QFoca; Receptacle; 1-1/16" Shell; Jam Nut; Internal Mount; Backshell; Female Dust Cover:

QFOCAX-RMFX-0XCH-X-SXXX



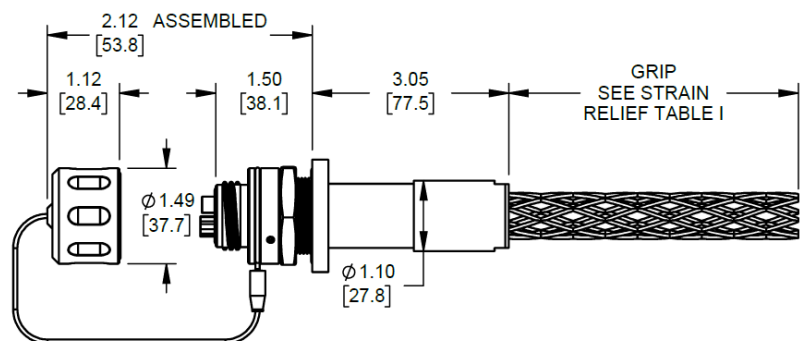
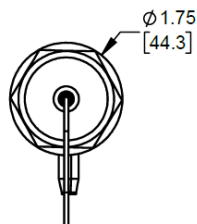
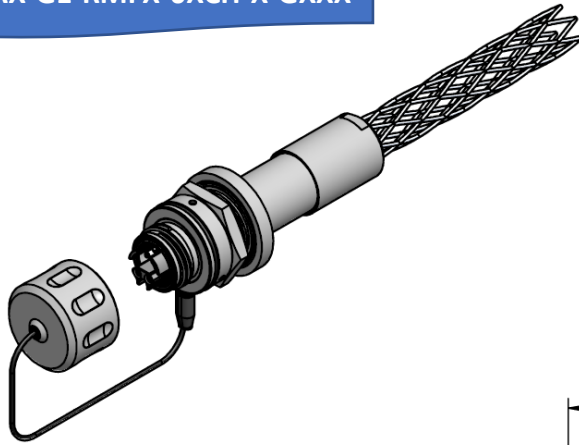
QFoca-G1; Receptacle; 1-1/16" Shell; Jam Nut; External Mount; Backshell; Mesh Grip; Female Dust

QFOCAX-G1-RLFX-0XCH-X-GXXX

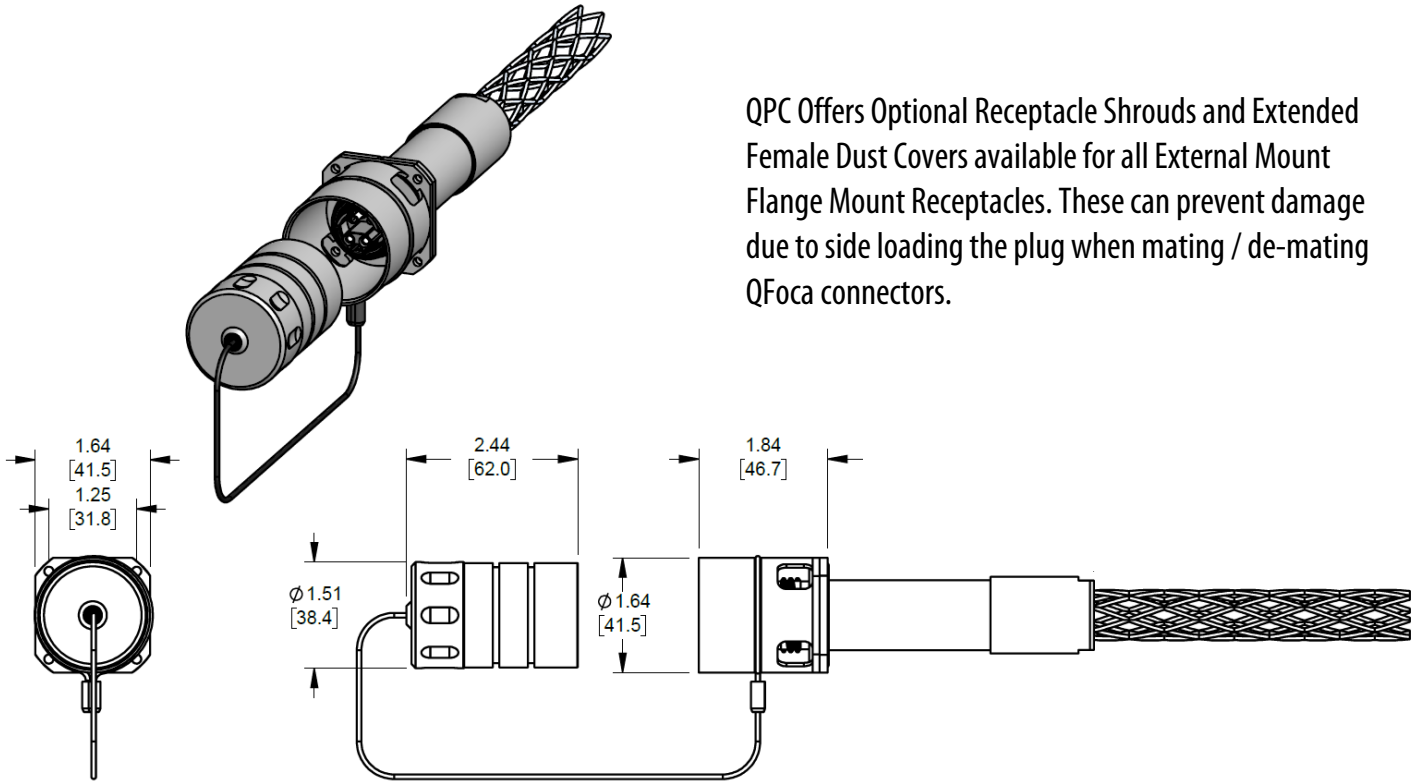


QFoca-G1; Receptacle; 1-1/16" Shell; Jam Nut; Internal Mount; Backshell; Mesh Grip; Female Dust

QFOCAX-G1-RMFX-0XCH-X-GXXX

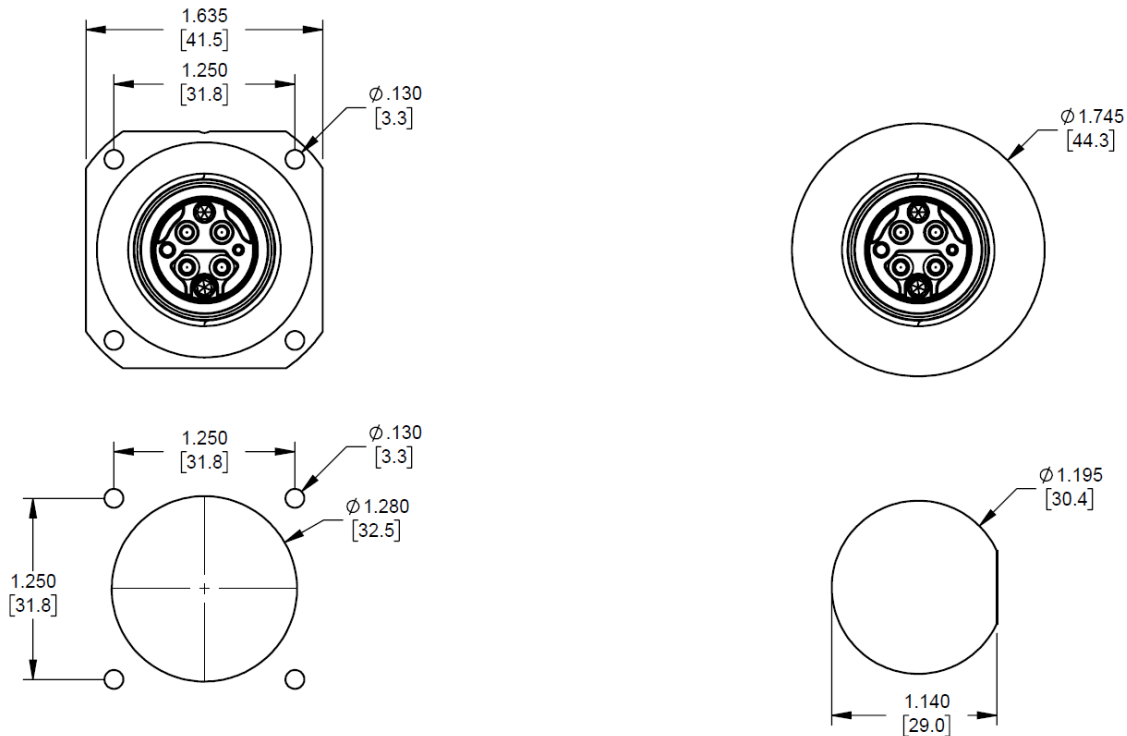


QFoca 1-1/16" Shell Flange Mount Receptacle Shroud and Extended Female Dust Cover:



QPC Offers Optional Receptacle Shrouds and Extended Female Dust Covers available for all External Mount Flange Mount Receptacles. These can prevent damage due to side loading the plug when mating / de-mating QFoca connectors.

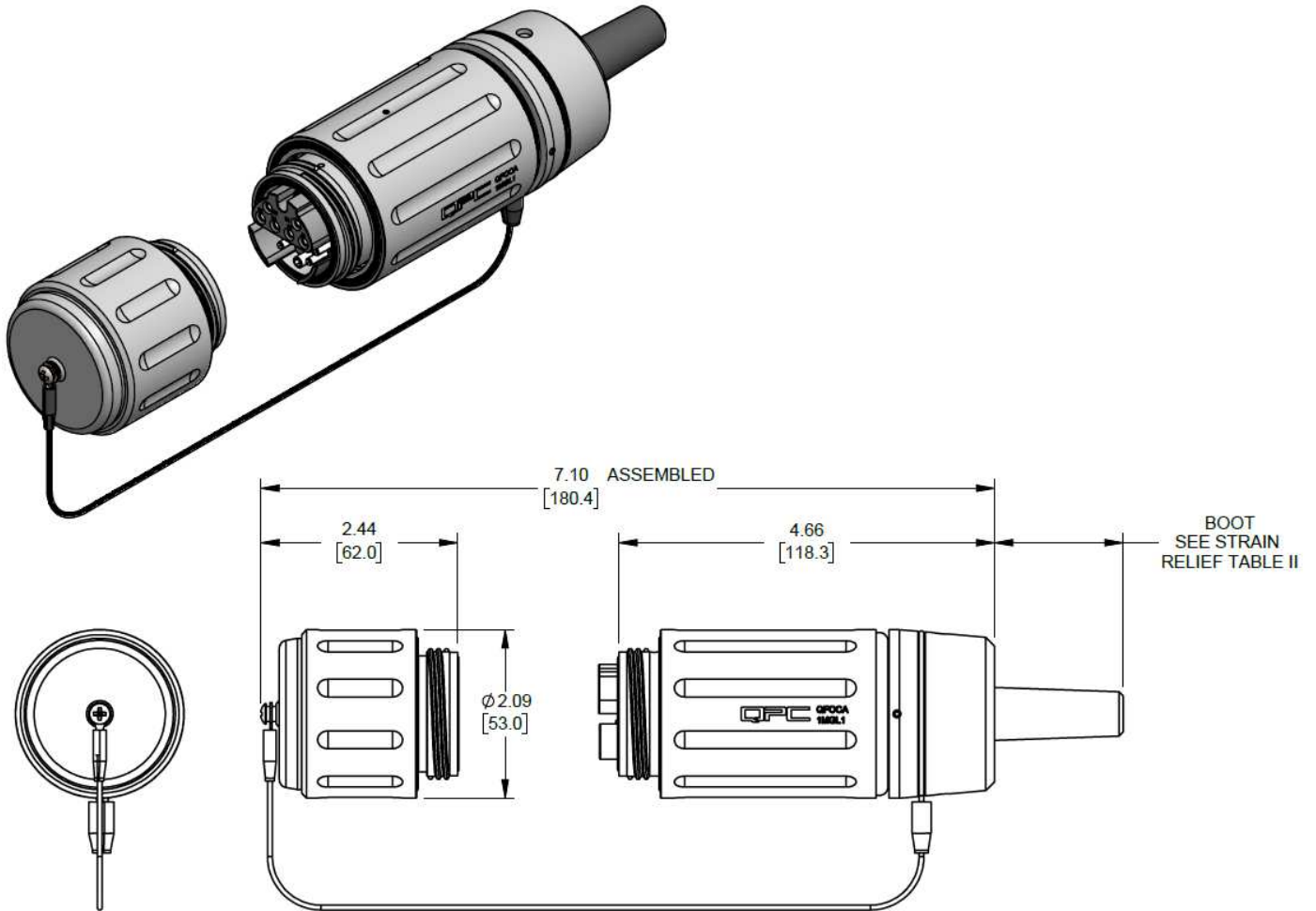
QFoca 1-1/16" Shell Flange Mount and Jam Nut Receptacle Panel Cutout:



*** For Jam Nut and Internal Mount Flange QFoca Receptacles: Maximum Panel Thickness: 0.25" (6.35mm)**

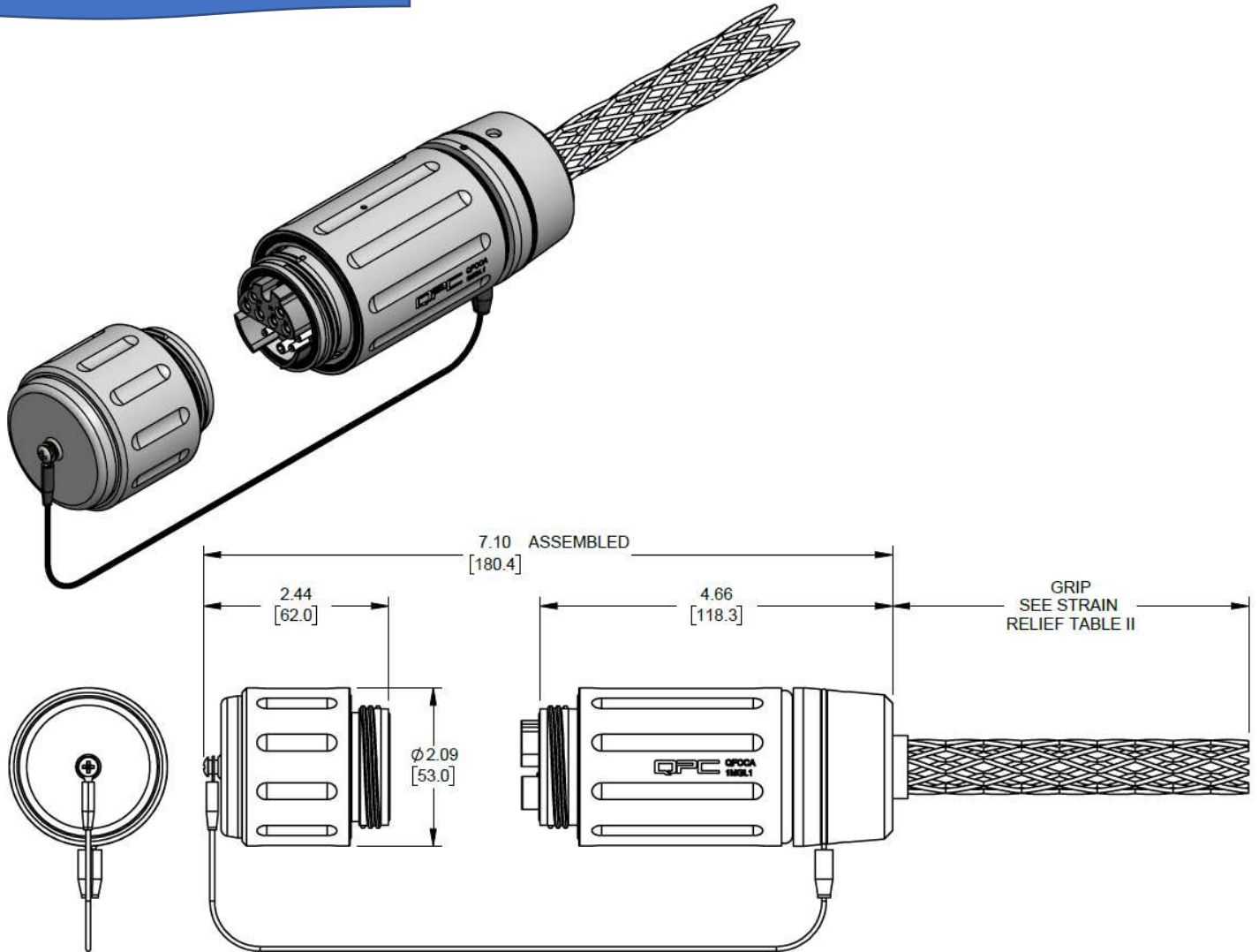
QFoca; Plug; 1-5/8" Shell; Hermaphroditic; Backshell; Hermaphroditic Dust Cover:

QFOCAX-PHHX-XXCH-X-SXXX



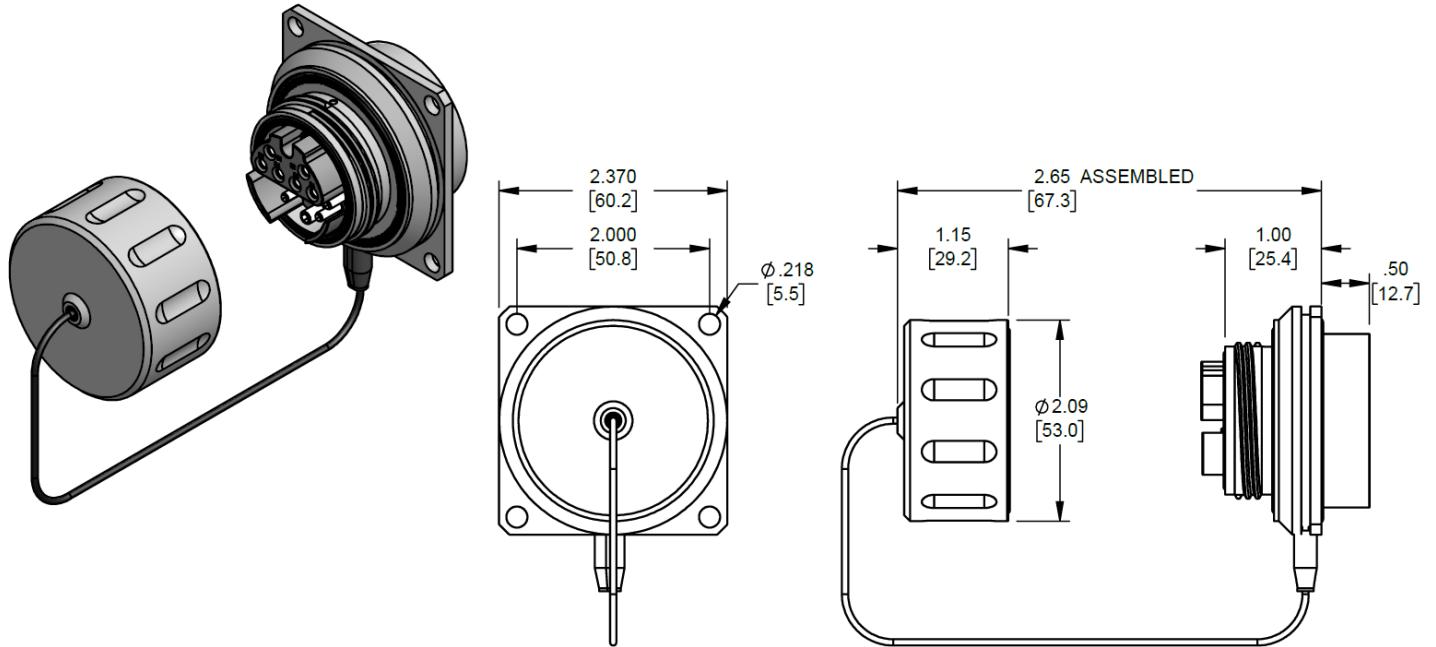
QFoca-G1; Plug; 1-5/8" Shell; Hermaphroditic; Backshell; Mesh Grip; Hermaphroditic Dust

QFOCAX-G1-PHHX-XXCH-X-GXXX



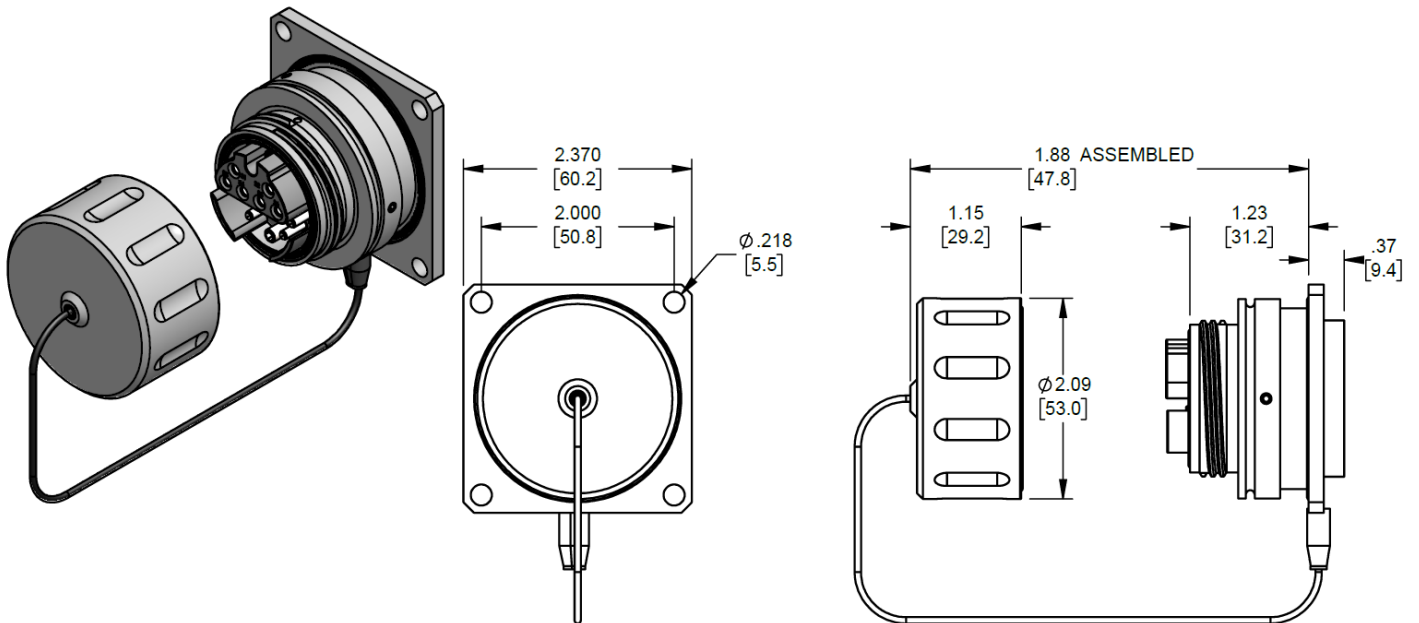
QFoca; Receptacle; 1-5/8" Shell; Flange; External Mount; Female Dust Cover:

QFOCAX-RFFX-XXCH-X-S0X



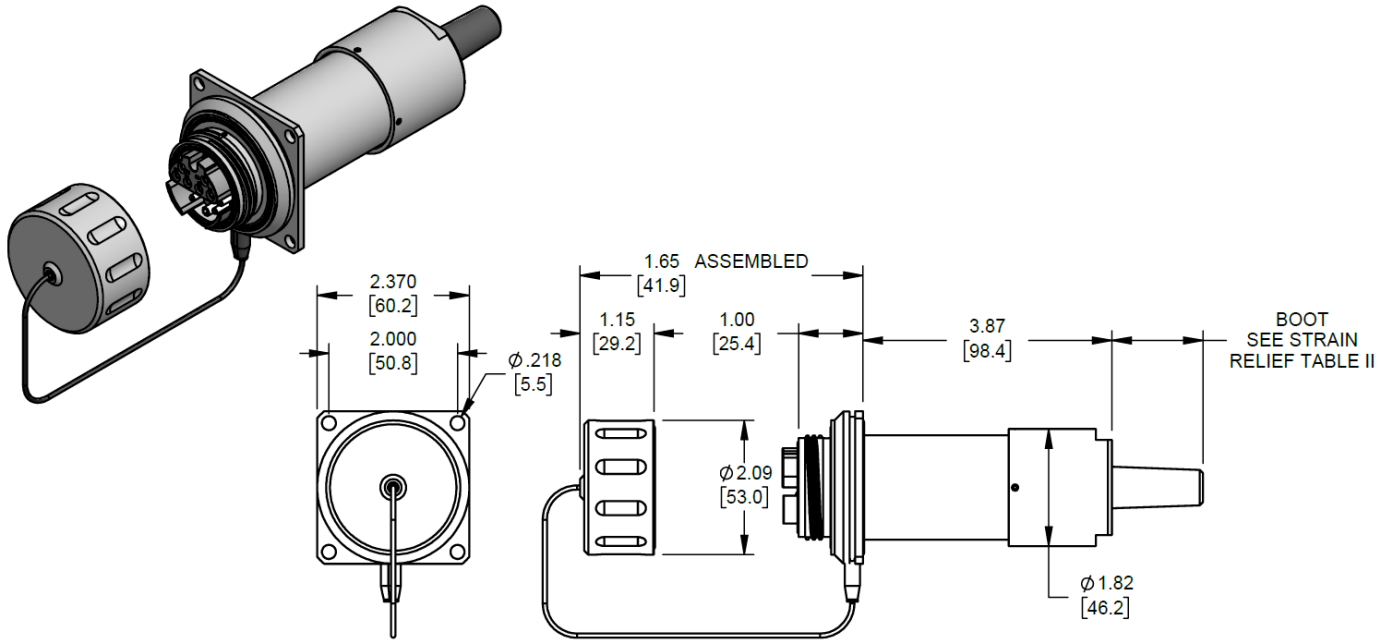
QFoca; Receptacle; 1-5/8" Shell; Flange; Internal Mount; Female Dust Cover:

QFOCAX-RGFX-XXCH-X-S0X



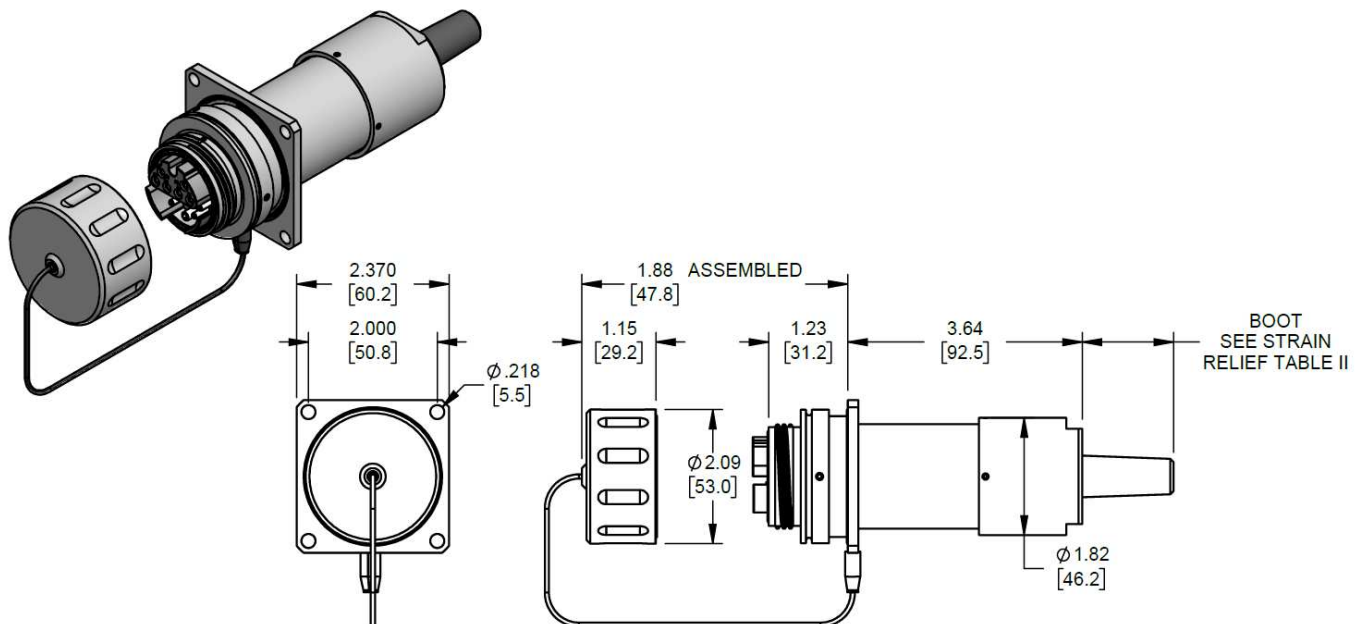
QFoca; Receptacle; 1-5/8" Shell; Flange; External Mount; Backshell; Female Dust Cover:

QFOCAX-RHFX-XXCH-X-SXXX



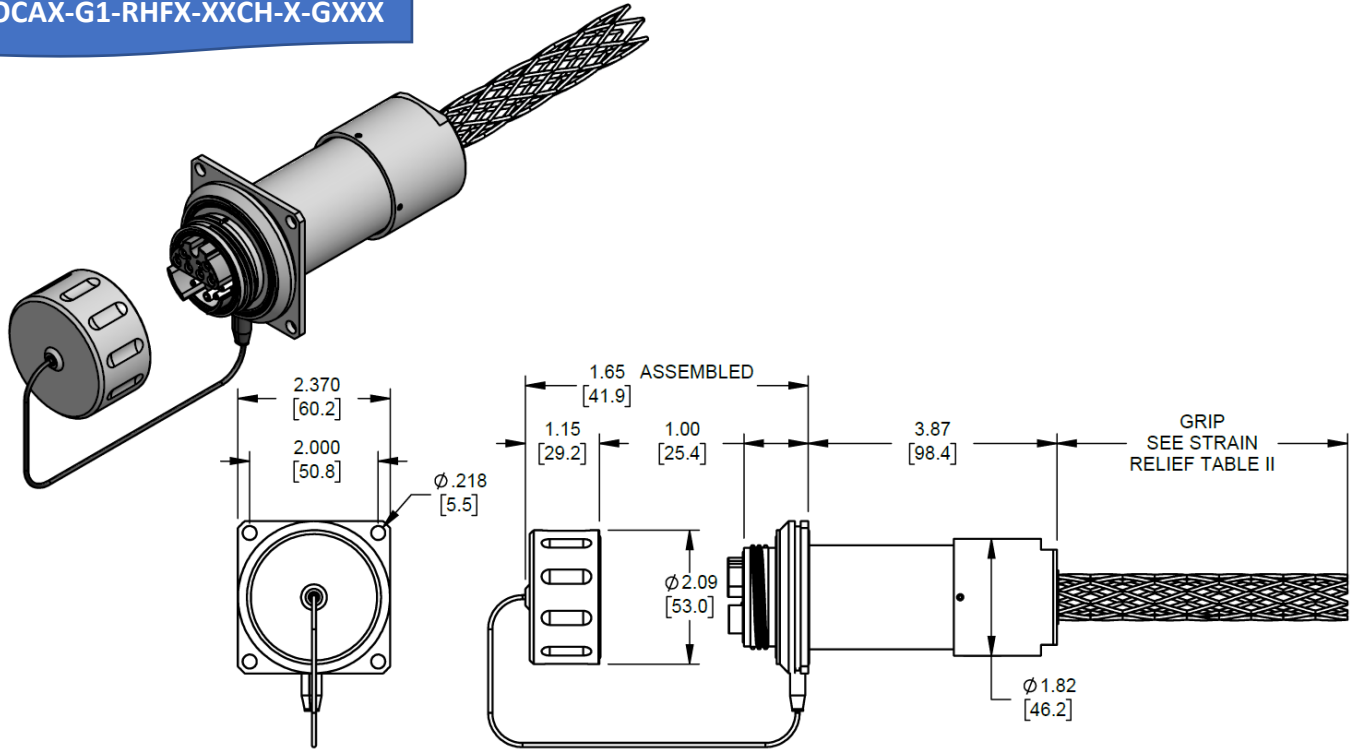
QFoca; Receptacle; 1-5/8" Shell; Flange; Internal Mount; Backshell; Female Dust Cover:

QFOCAX-RIFX-XXCH-X-SXXX



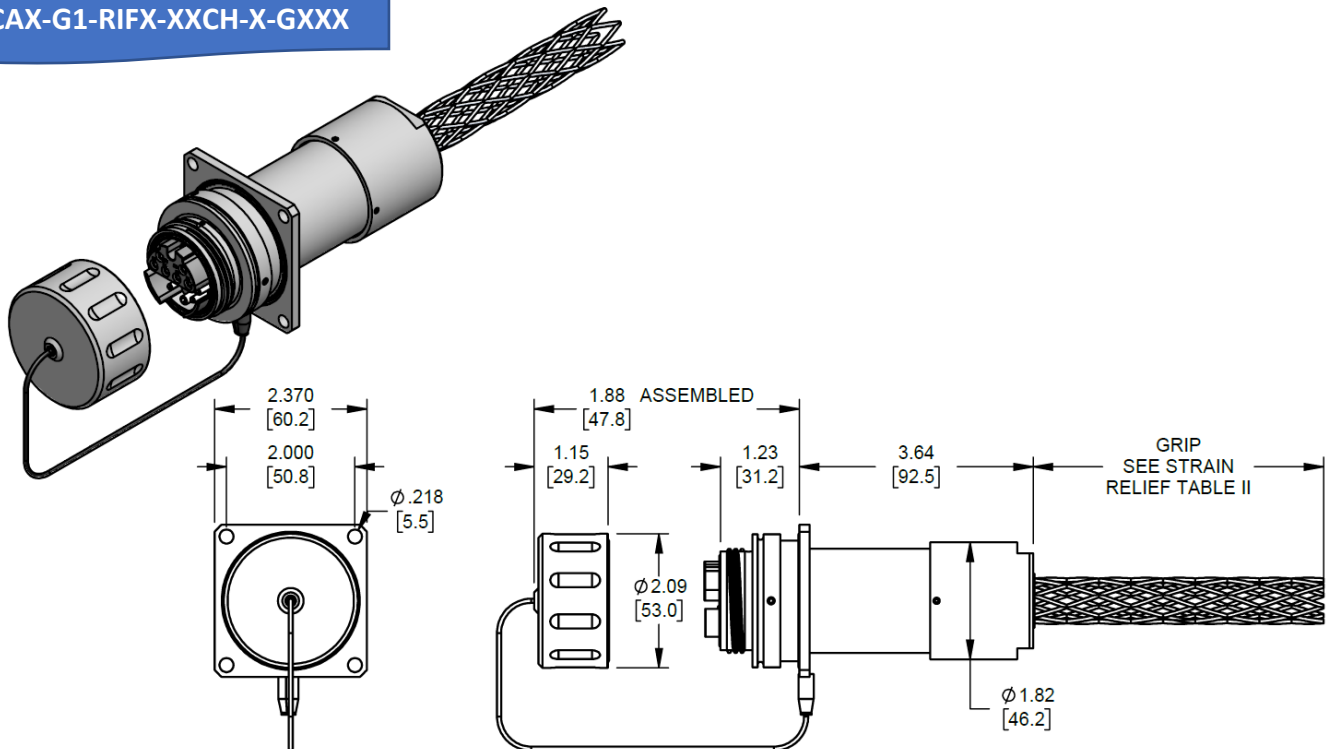
QFoca-G1; Receptacle; 1-5/8" Shell; Flange; External Mount; Backshell; Mesh Grip; Female Dust

QFOCAX-G1-RHFX-XXCH-X-GXXX



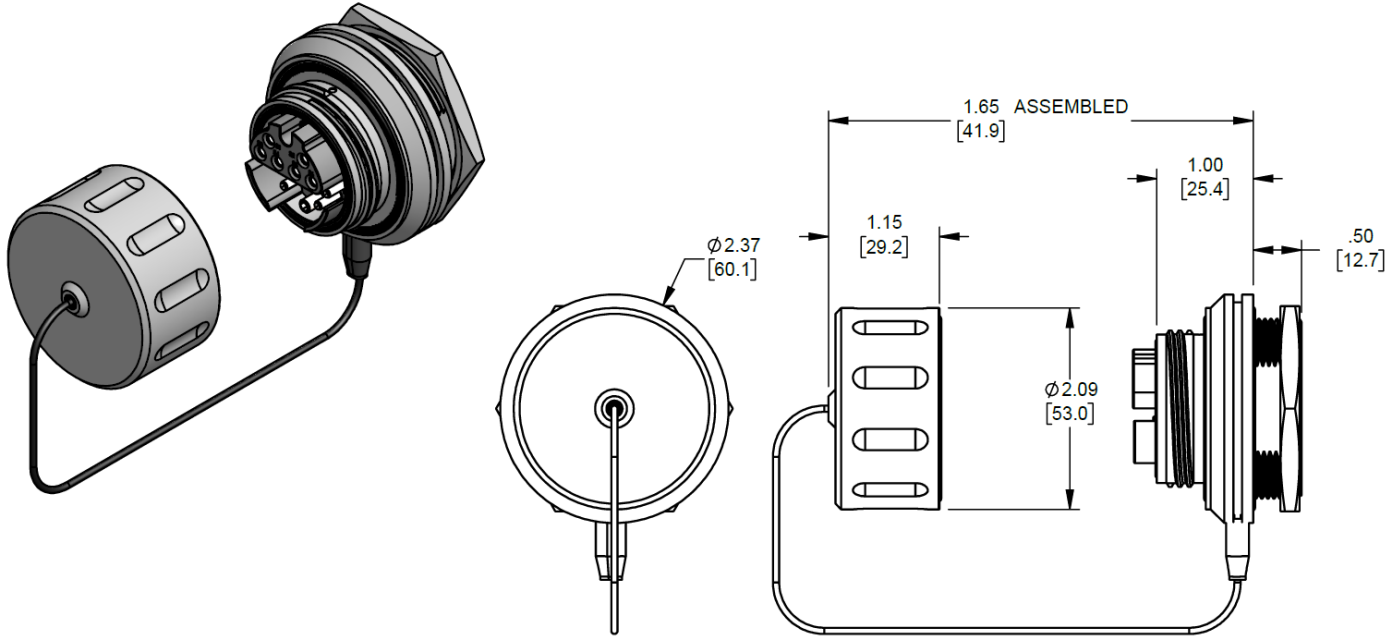
QFoca-G1; Receptacle; 1-5/8" Shell; Flange; Internal Mount; Backshell; Mesh Grip; Female Dust

QFOCAX-G1-RIFX-XXCH-X-GXXX



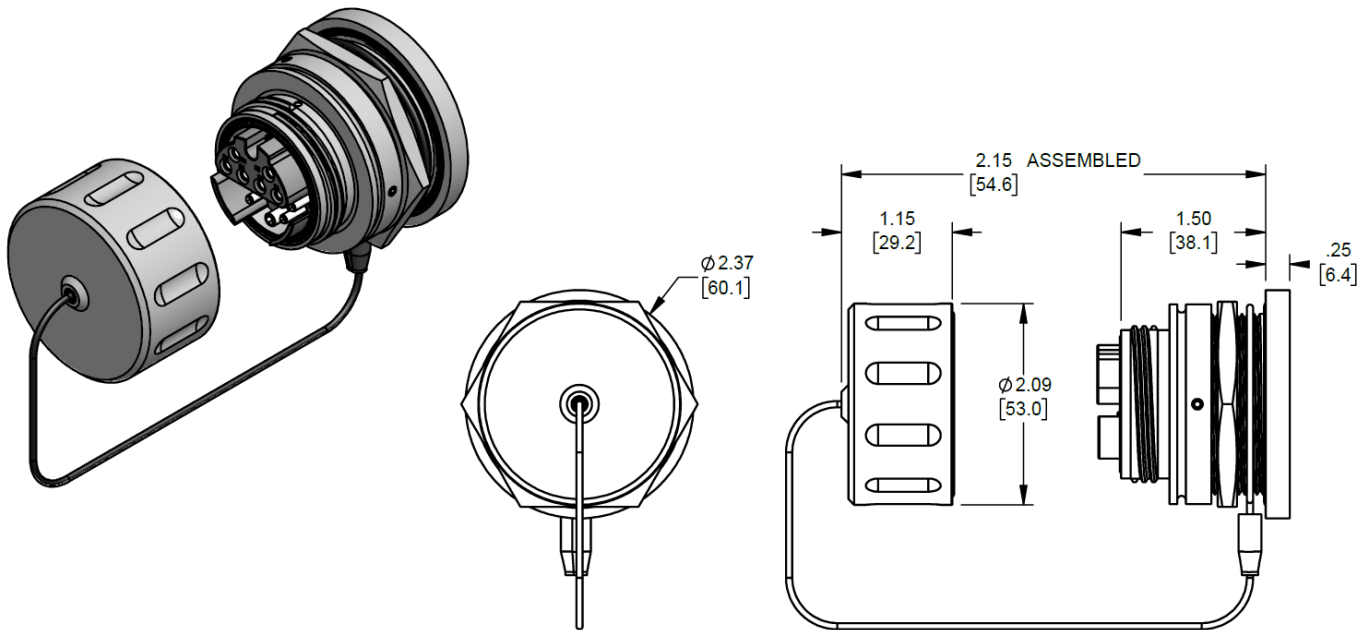
QFoca; Receptacle; 1-5/8" Shell; Jam Nut; External Mount; Female Dust Cover:

QFOCAX-RJFX-XXCH-X-S0X



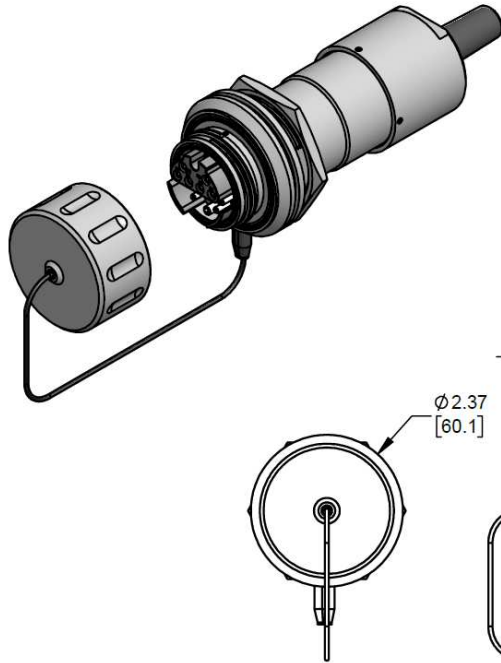
QFoca; Receptacle; 1-5/8" Shell; Jam Nut; Internal Mount; Female Dust Cover:

QFOCAX-RKFX-XXCH-X-S0X

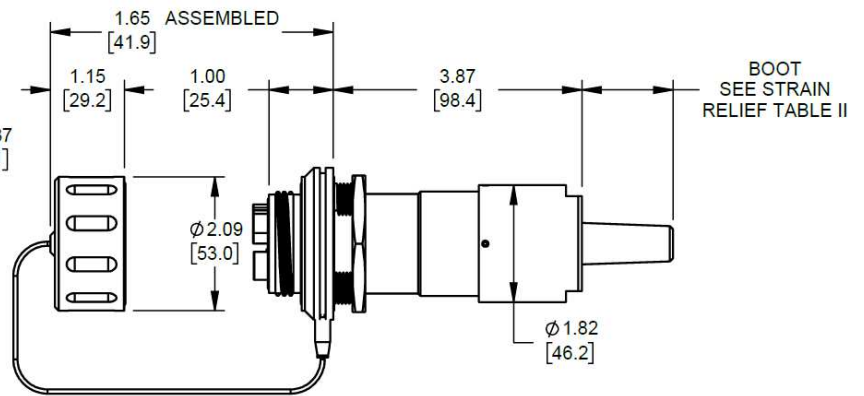


QFoca; Receptacle; 1-5/8" Shell; Jam Nut; External Mount; Backshell; Female Dust Cover:

QFOCAX-RLFX-XXCH-X-SXXX

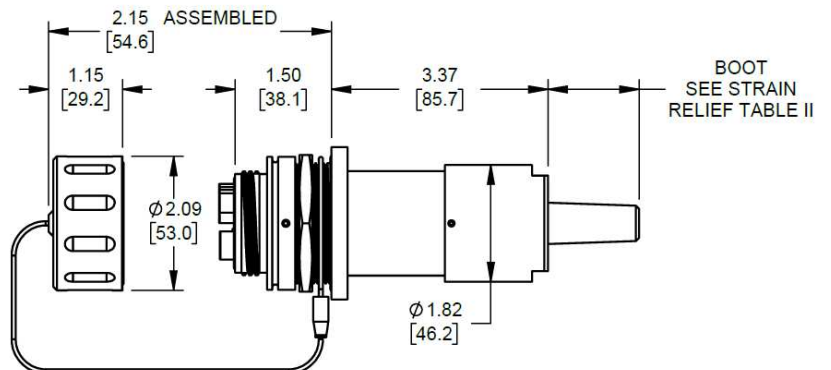
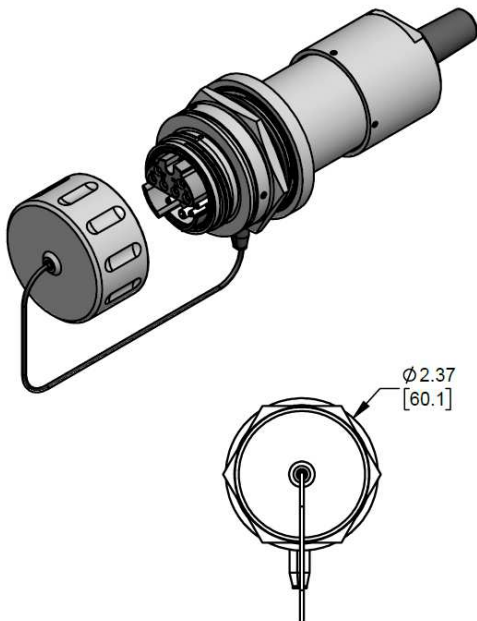


NOTE: Due to the strain relief size; this receptacle must be disassembled to mount to the panel.



QFoca; Receptacle; 1-5/8" Shell; Jam Nut; Internal Mount; Backshell; Female Dust Cover:

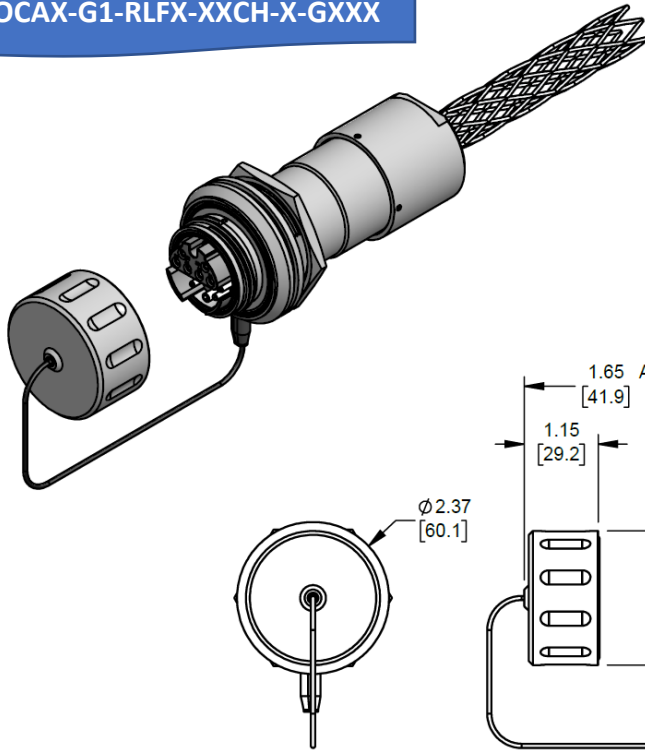
QFOCAX-RMFX-XXCH-X-SXXX



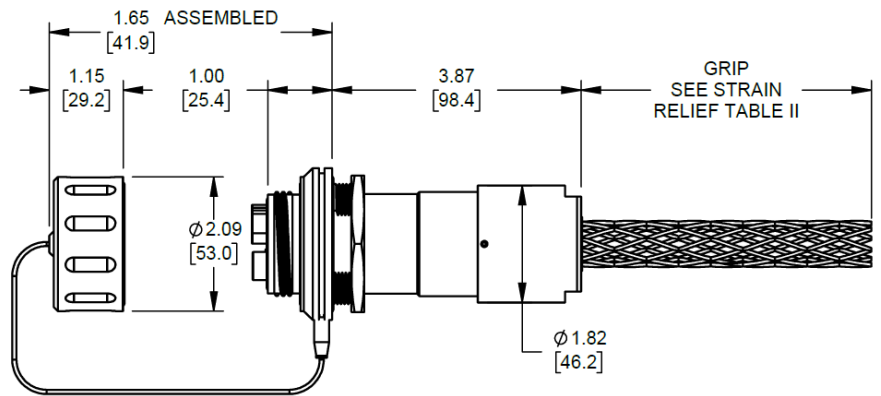
QFoca Hermaphroditic Tactical Connectors

QFoca-G1; Receptacle; 1-5/8" Shell; Jam Nut; External Mount; Backshell; Mesh Grip; Female Dust

QFOCAX-G1-RLFX-XXCH-X-GXXX

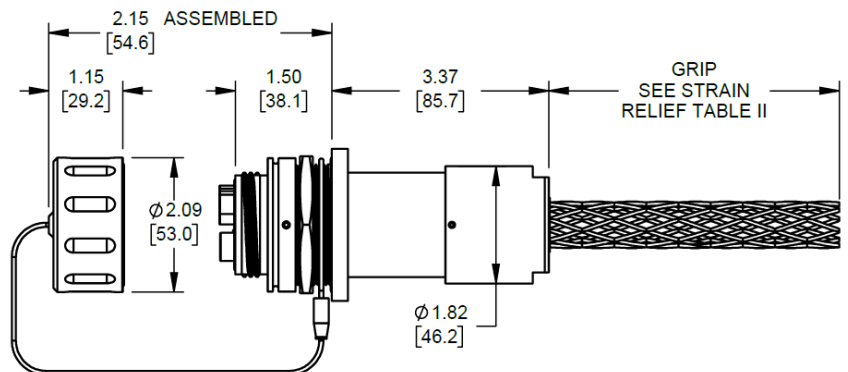
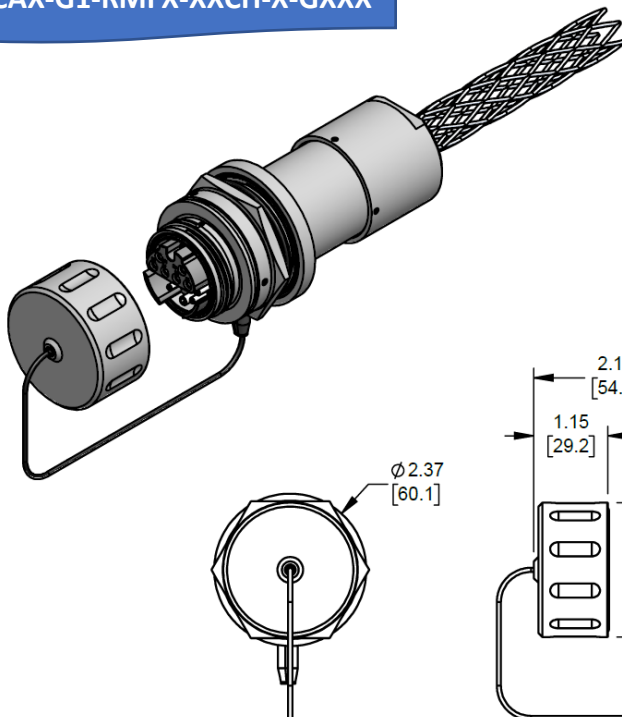


NOTE: Due to the strain relief size; this receptacle must be disassembled to mount to the panel.



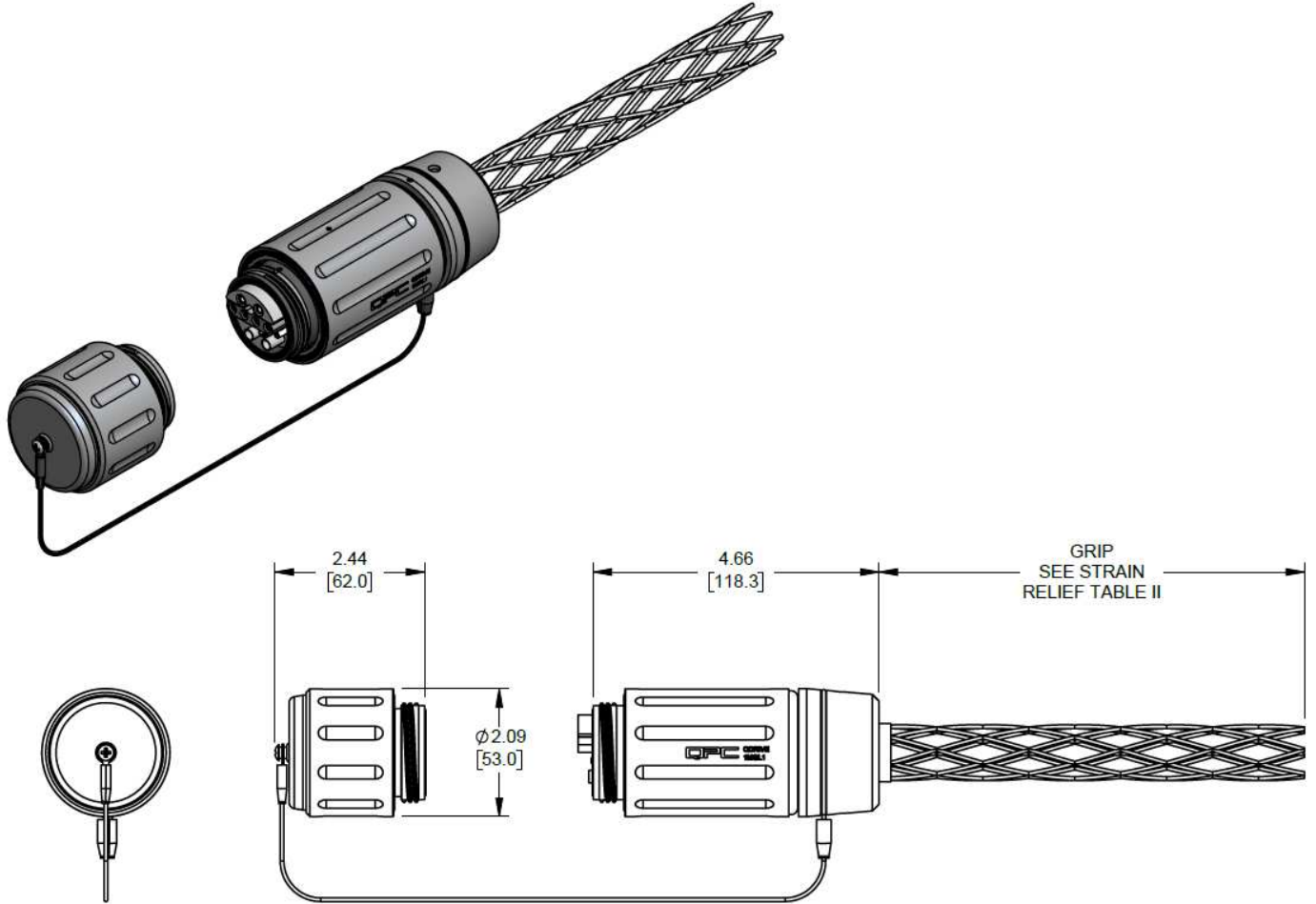
QFoca-G1; Receptacle; 1-5/8" Shell; Jam Nut; Internal Mount; Backshell; Mesh Grip; Female Dust

QFOCAX-G1-RMFX-XXCH-X-GXXX



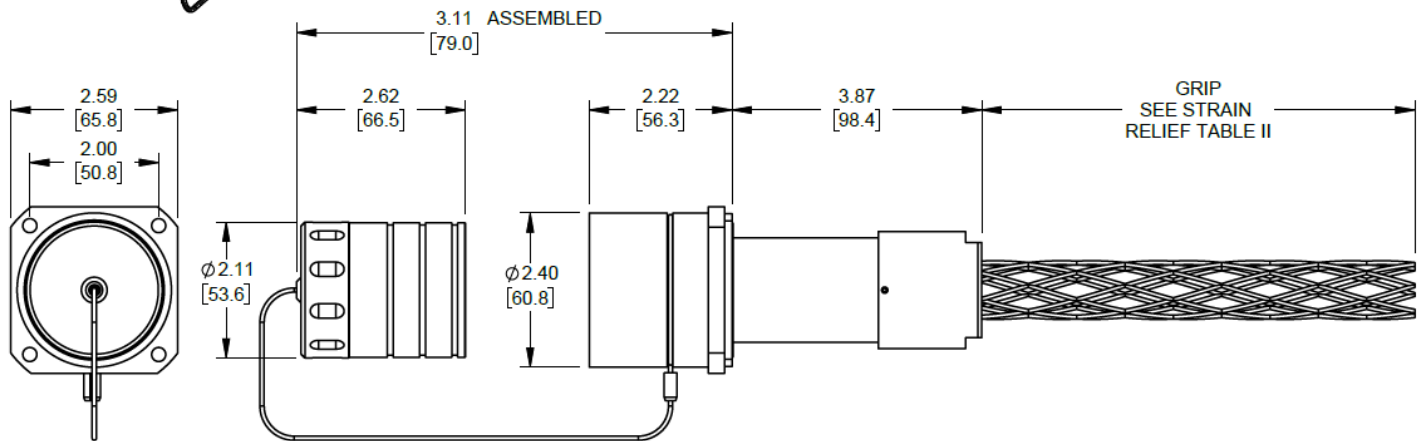
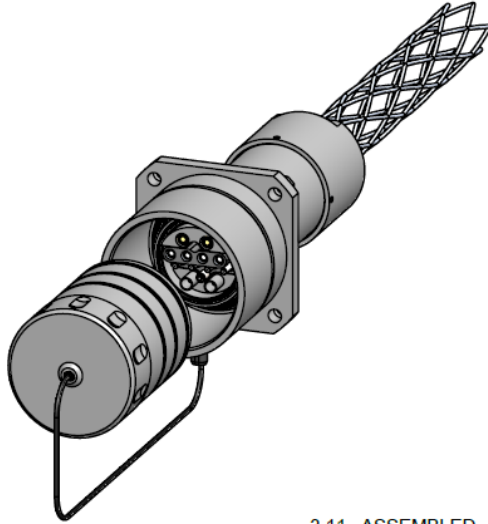
QDrive-G1; 12Ch Hybrid Plug; 1-5/8" Shell; Hermaphroditic; Hybrid; Backshell; Mesh Grip; Dust

QDRIVE-G1-PHHX-12CH-X-GXXX

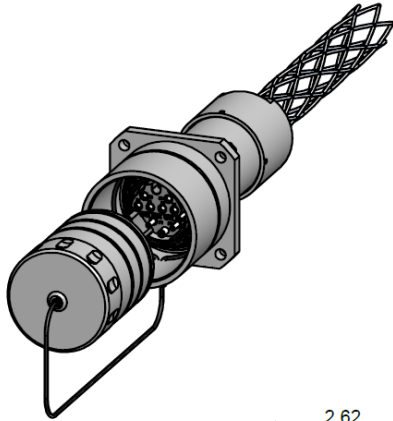


QDrive-G1; 12Ch Hybrid Receptacle; 1-5/8" Shell; Flange; External Mount; Hermaphroditic; Hybrid; Backshell; Mesh Grip; Dust

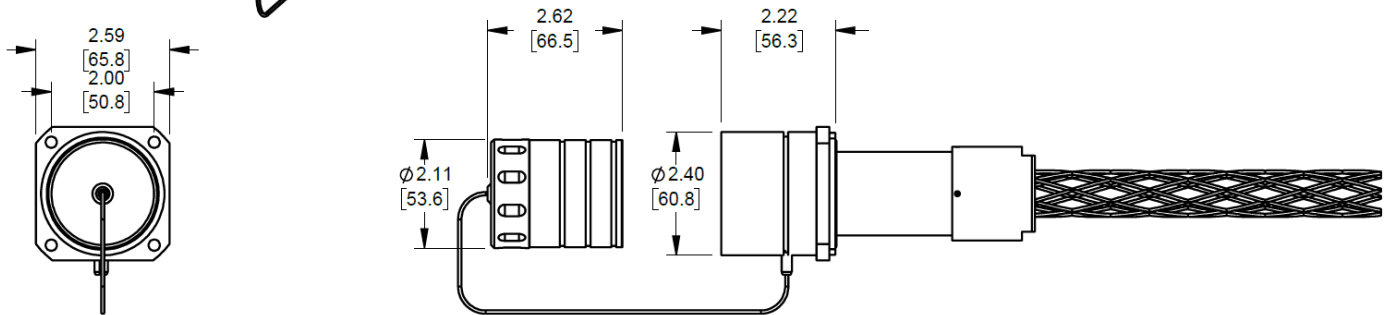
QDRIVE-G1-RHSX-12CH-X-GXXX



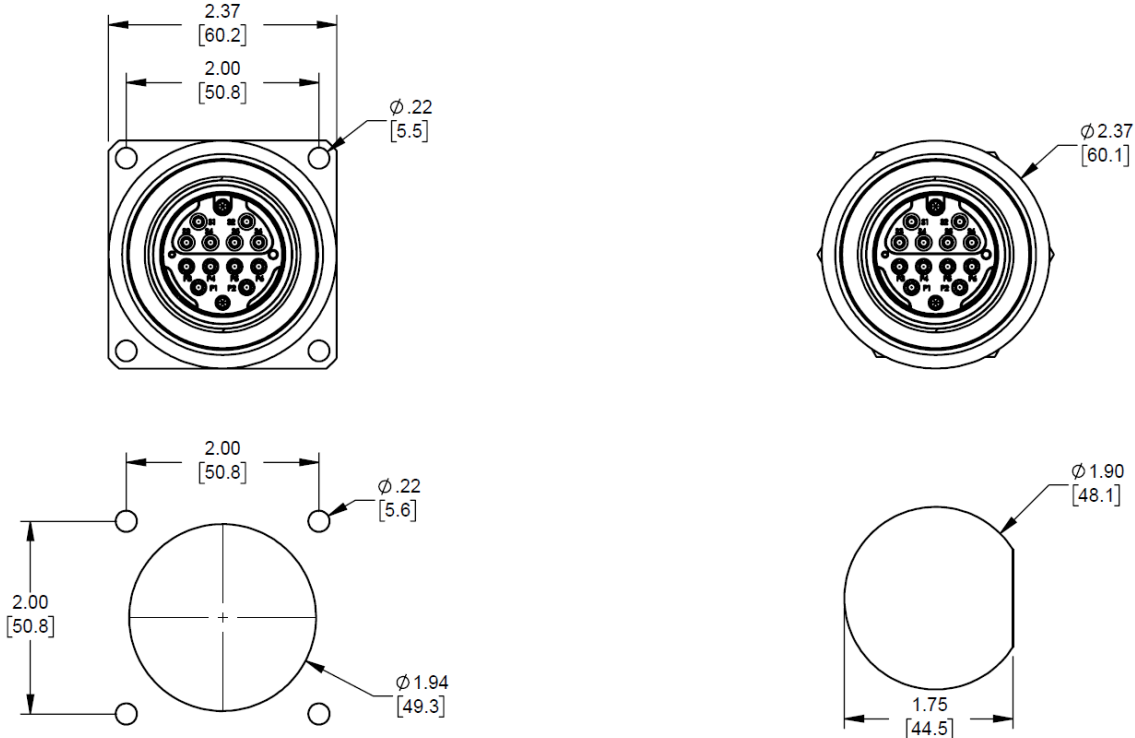
QFoca 1-5/8" Shell Flange Mount Receptacle Shroud and Extended Female Dust Cover:



QPC Offers Optional Receptacle Shrouds and Extended Female Dust Covers available for all External Mount Flange Mount Receptacles. These can prevent damage due to side loading the plug when mating / de-mating QFoca connectors.



QFoca 1-5/8" Shell Flange Mount and Jam Nut Receptacle Panel Cutout:



*** For Jam Nut and Internal Mount Flange QFoca Receptacles: Maximum Panel Thickness: 0.25" (6.35mm)**

Table I – QFoca 1-1/16” Shell Strain Relief Options (Plugs / Receptacles with Backshell):

Cable OD in (mm)	QFoca Boot / Bend Limiter		QFoca-G1 Wire Mesh Grip	
	Strain Relief Identifier	Length in (mm)	Strain Relief Identifier	Length in (mm)
0.142 - 0.177 (3.6 - 4.5)	S045	1.45 (36.8)	-	-
0.181 - 0.217 (4.6 - 5.5)	S055	1.45 (36.8)	-	-
0.220 - 0.256 (5.6 - 6.5)	S065	1.45 (36.8)	-	-
0.260 - 0.295 (6.6 - 7.5)	S075	1.45 (36.8)	G075	6.00 (152.4)
0.299 - 0.335 (7.6 - 8.5)	S085	1.45 (36.8)	G085	6.00 (152.4)
0.339 - 0.374 (8.6 - 9.5)	S095	1.45 (36.8)	G095	6.00 (152.4)
0.378 - 0.413 (9.6 - 10.5)	S105	1.45 (36.8)	G105	6.75 (171.4)
0.417 - 0.453 (10.6 - 11.5)	S115	1.45 (36.8)	G115	6.75 (171.4)
0.457 - 0.492 (11.6 - 12.5)	S125	1.45 (36.8)	G125	6.75 (171.4)
0.496 - 0.531 (12.6 - 13.5)	-	-	G135	7.25 (184.1)
0.535 - 0.571 (13.6 - 14.5)	-	-	G145	7.25 (184.1)
0.575 - 0.610 (14.6 - 15.5)	-	-	G155	7.25 (184.1)

Table II – QFoca 1-5/8” Shell Strain Relief Options (Plugs / Receptacles with Backshells):

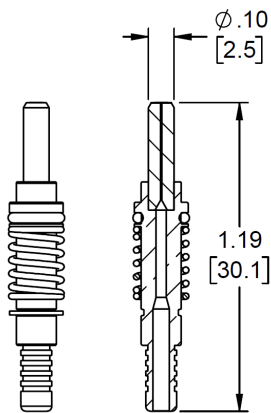
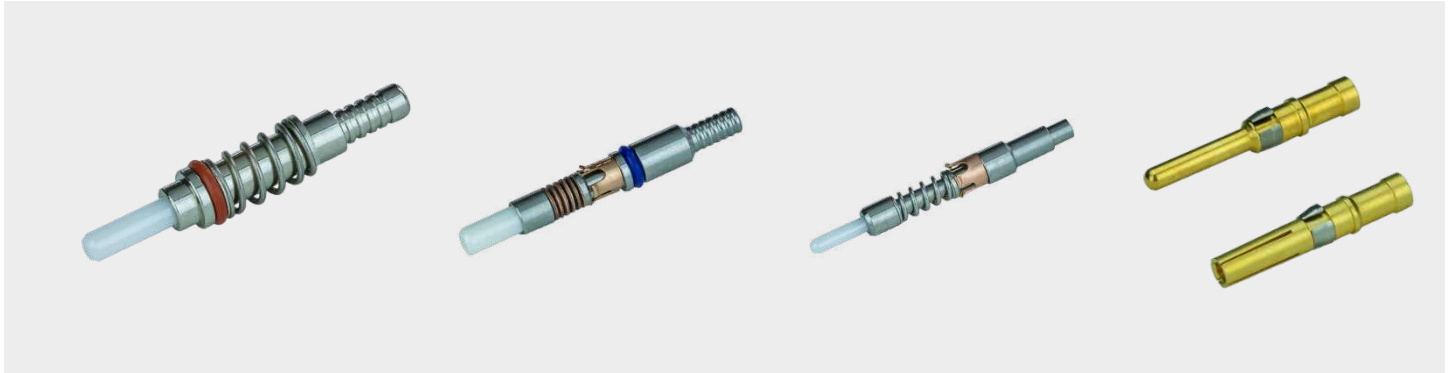
Cable OD in (mm)	QFoca Boot / Bend Limiter		QFoca-G1 Wire Mesh Grip	
	Strain Relief Identifier	Length in (mm)	Strain Relief Identifier	Length in (mm)
0.142 - 0.177 (3.6 - 4.5)	S045	1.45 (36.8)	-	-
0.181 - 0.217 (4.6 - 5.5)	S055	1.45 (36.8)	-	-
0.220 - 0.256 (5.6 - 6.5)	S065	1.45 (36.8)	-	-
0.260 - 0.295 (6.6 - 7.5)	S075	1.45 (36.8)	G075	6.00 (152.4)
0.299 - 0.335 (7.6 - 8.5)	S085	1.45 (36.8)	G085	6.00 (152.4)
0.339 - 0.374 (8.6 - 9.5)	S095	1.45 (36.8)	G095	6.00 (152.4)
0.378 - 0.413 (9.6 - 10.5)	S105	1.45 (36.8)	G105	6.75 (171.4)
0.417 - 0.453 (10.6 - 11.5)	S115	1.45 (36.8)	G115	6.75 (171.4)
0.457 - 0.492 (11.6 - 12.5)	S125	1.45 (36.8)	G125	6.75 (171.4)
0.496 - 0.531 (12.6 - 13.5)	-	-	G135	7.25 (184.1)
0.535 - 0.571 (13.6 - 14.5)	-	-	G145	7.25 (184.1)
0.575 - 0.610 (14.6 - 15.5)	-	-	G155	7.25 (184.1)
0.614 - 0.689 (15.6 - 17.5)	-	-	G175	9.00 (228.6)
0.692 - 0.748 (17.6 - 19.0)	-	-	G190	9.00 (228.6)
0.751 - 0.807 (19.1 - 20.5)	-	-	G205	9.00 (228.6)
0.811 - 0.866 (20.6 - 22.0)	-	-	G220	9.00 (228.6)
0.870 - 0.925 (22.1 - 23.5)	-	-	G235	9.00 (228.6)
0.929 - 0.984 (23.6 - 25.0)	-	-	G250	9.00 (228.6)

Table III – QFoca Crimp Options (Receptacles without Backshells)

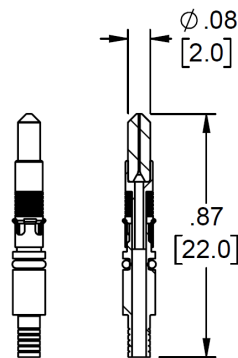
Cable OD	Strain Relief Identifier
900µm	S00
2mm	S02
3mm	S03

* The S03 (3mm) Option is only available for QFoca Connectors that use 2.5mm OD Ferrules (QFoca 4Ch / 12Ch, QFoca-EZ 4Ch / 12Ch, & QDrive)

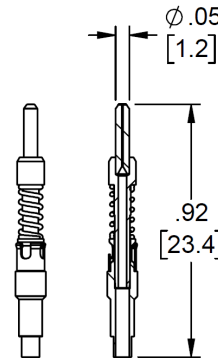
QFoca Termini, Sleeves, and Crimps and QDrive Contacts:



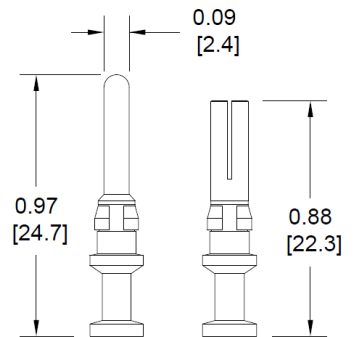
QFOCA-TRM-2.50



QFOCA-TRM-2.00



QFOCA-TRM-1.25



QDRIVE-CTC-12XXX

PART NUMBER	DESCRIPTION
QFOCA-TRM-2.50	Terminus Assembly; QFoca / QDrive; 2.5mm Ferrule OD; 126µm Singlemode/Multimode
QFOCA-TRM-2.00	Terminus Assembly; 6Ch / 24Ch QFoca-EZ; 2.0mm Ferrule OD; 126µm Singlemode/Multimode
QFOCA-TRM-1.25	Terminus Assembly; QFoca3; 1.25mm Ferrule OD; 126µm Singlemode/Multimode
QFOCA-SAS-2.50	Alignment Sleeve; QFoca / QDrive; 2.5mm ID; Split; Thick Wall (0.63mm)
QFOCA-SAS-2.00	Alignment Sleeve; 6Ch / 24Ch QFoca-EZ; 2.0mm ID; Split; Standard Wall (0.30mm)
QFOCA-SAS-1.25	Alignment Sleeve; QFoca3; 1.25mm ID; Split; Thick Wall (0.37mm)
QFOCA-CMP-2.50-2MM	Crimp Sleeve; QFOCA-TRM-2.50; 2.0mm Cable OD; Stainless Steel
QFOCA-CMP-2.50-3MM	Crimp Sleeve; QFOCA-TRM-2.50; 3.0mm Cable OD; Stainless Steel
QFOCA-CMP-2.00-2MM	Crimp Sleeve; QFOCA-TRM-2.00; 2.0mm Cable OD; Nickel Plated Brass
QFOCA-CMP-1.25-2MM	Crimp Sleeve; QFOCA-TRM-1.25; 2.0mm Cable OD; Stainless Steel
QDRIVE-CTC-1214P	QDrive Contact, Size 12, Gold Plated, 14 AWG Wire, Pin
QDRIVE-CTC-1214S	QDrive Contact, Size 12, Gold Plated, 14 AWG Wire, Skt
QDRIVE-CTC-1212P	QDrive Contact, Size 12, Gold Plated, 12 AWG Wire, Pin
QDRIVE-CTC-1212S	QDrive Contact, Size 12, Gold Plated, 12 AWG Wire, Skt

QFoca Replacement Insert Caps:

PART NUMBER	DESCRIPTION
QFOCA-INSN-1-04CH	Insert Cap; QFoca; 4 Channel; Key 1; Aluminum; Hard Anodize; Black; Includes 2 x 2.5mm Split Alignment Sleeves, and 2 x Captive Mounting Screws
QFOCA-INSS-1-04CH	Insert Cap; QFoca; 4 Channel; Key 1; Stainless Steel; Passivated; Includes 2 x 2.5mm Split Alignment Sleeves, and 2 x Captive Mounting Screws
QFOCA-INSN-1-12CH	Insert Cap; QFoca; 12 Channel; Key 1; Aluminum; Hard Anodize; Black; Includes 6 x 2.5mm Split Alignment Sleeves, and 2 x Captive Mounting Screws
QFOCA-INSS-1-12CH	Insert Cap; QFoca; 12 Channel; Key 1; Stainless Steel; Passivated; Includes 6 x 2.5mm Split Alignment Sleeves, and 2 x Captive Mounting Screws
QFOCA-EZ-INSN-04CH	Insert Cap; QFoca-EZ; 4 Channel; Aluminum; Hard Anodize; Black; Includes 2 x 2.5mm Split Alignment Sleeves, and 2 x Captive Mounting Screws
QFOCA-EZ-INSS-04CH	Insert Cap; QFoca-EZ; 4 Channel; Stainless Steel; Passivated; Includes 2 x 2.5mm Split Alignment Sleeves, and 2 x Captive Mounting Screws
QFOCA-EZ-INSN-06CH	Insert Cap; QFoca-EZ; 6 Channel; Aluminum; Hard Anodize; Black; Includes 3 x 2.0mm Split Alignment Sleeves, and 2 x Captive Mounting Screws
QFOCA-EZ-INSS-06CH	Insert Cap; QFoca-EZ; 6 Channel; Stainless Steel; Passivated; Includes 3 x 2.0mm Split Alignment Sleeves, and 2 x Captive Mounting Screws
QFOCA-EZ-INSN-12CH	Insert Cap; QFoca-EZ; 12 Channel; Aluminum; Hard Anodize; Black; Includes 6 x 2.5mm Split Alignment Sleeves, and 2 x Captive Mounting Screws
QFOCA-EZ-INSS-12CH	Insert Cap; QFoca-EZ; 12 Channel; Stainless Steel; Passivated; Includes 6 x 2.5mm Split Alignment Sleeves, and 2 x Captive Mounting Screws
QFOCA-EZ-INSN-24CH	Insert Cap; QFoca-EZ; 24 Channel; Aluminum; Hard Anodize; Black; Includes 12 x 2.0mm Split Alignment Sleeves, and 2 x Captive Mounting Screws
QFOCA-EZ-INSS-24CH	Insert Cap; QFoca-EZ; 24 Channel; Stainless Steel; Passivated; Includes 12 x 2.0mm Split Alignment Sleeves, and 2 x Captive Mounting Screws
QFOCA3-INSN-1-06CH	Insert Cap; QFoca3; 6 Channel; Key 1; Aluminum; Hard Anodize; Black; Includes 3 x 1.25mm Split Alignment Sleeves, and 2 x Captive Mounting Screws
QFOCA3-INSS-1-06CH	Insert Cap; QFoca3; 6 Channel; Key 1; Stainless Steel; Passivated; Includes 3 x 1.25mm Split Alignment Sleeves, and 2 x Captive Mounting Screws
QFOCA3-INSN-1-24CH	Insert Cap; QFoca3; 24 Channel; Key 1; Aluminum; Hard Anodize; Black; Includes 12 x 1.25mm Split Alignment Sleeves, and 2 x Captive Mounting Screws
QFOCA3-INSS-1-24CH	Insert Cap; QFoca3; 24 Channel; Key 1; Stainless Steel; Passivated; Includes 12 x 1.25mm Split Alignment Sleeves, and 2 x Captive Mounting Screws
QDRIVE-INSN-12CH	Insert Cap; QDrive; 12 Channel; Aluminum; Hard Anodize; Black; Includes 4 x 2.5mm Split Alignment Sleeves, and 2 x Captive Mounting Screws
QDRIVE-INSS-12CH	Insert Cap; QDrive; 12 Channel; Stainless Steel; Passivated; Includes 4 x 2.5mm Split Alignment Sleeves, and 2 x Captive Mounting Screws

QFoca Replacement Insert Cap Notes:

- * All Replacement Inserts Caps include Split Alignment Sleeves and Captive Mounting Screws
- * QFoca Connectors with an "N", "Z", or "R" Material / Plating Code use Inserts Caps with "N" Material / Plating Code
- * QFoca Connectors with an "S" Material / Plating Code use Inserts Caps with "S" Material / Plating Code
- * For QFoca / QFoca3 Replacement Insert Caps, please specify the Key (1,2,3, or U) in the Part Number, Key 1 shown above for reference

QFoca Replacement Dust Covers:

PART NUMBER	DESCRIPTION
QFOCA-DCPHN-1.0625	Dust Cover; QFoca; Plug; Hermaphroditic; Aluminum; Hard Anodize; Black; 1-1/16" Shell
QFOCA-DCPHZ-1.0625	Dust Cover; QFoca; Plug; Hermaphroditic; Aluminum; Zinc over Nickel; Olive Drab; 1-1/16" Shell
QFOCA-DCPHR-1.0625	Dust Cover; QFoca; Plug; Hermaphroditic; Aluminum; Zinc over Nickel; Bronze; 1-1/16" Shell
QFOCA-DCPHS-1.0625	Dust Cover; QFoca; Plug; Hermaphroditic; Stainless Steel; Passivated; 1-1/16" Shell
QFOCA-DCRFN-1.0625	Dust Cover; QFoca; Receptacle; Female; Aluminum; Hard Anodize; Black; 1-1/16" Shell
QFOCA-DCRFZ-1.0625	Dust Cover; QFoca; Receptacle; Female; Aluminum; Zinc over Nickel; Olive Drab; 1-1/16" Shell
QFOCA-DCRFR-1.0625	Dust Cover; QFoca; Receptacle; Female; Aluminum; Zinc over Nickel; Bronze; 1-1/16" Shell
QFOCA-DCRFS-1.0625	Dust Cover; QFoca; Receptacle; Female; Stainless Steel; Passivated; 1-1/16" Shell
QFOCA-DCRSN-1.0625	Dust Cover; QFoca; Receptacle; Extended Female; Aluminum; Hard Anodize; Black; 1-1/16" Shell
QFOCA-DCRSZ-1.0625	Dust Cover; QFoca; Receptacle; Extended Female; Aluminum; Zinc over Nickel; Olive Drab; 1-1/16" Shell
QFOCA-DCRSR-1.0625	Dust Cover; QFoca; Receptacle; Extended Female; Aluminum; Zinc over Nickel; Bronze; 1-1/16" Shell
QFOCA-DCRSS-1.0625	Dust Cover; QFoca; Receptacle; Extended Female; Stainless Steel; Passivated; 1-1/16" Shell
QFOCA-DCPHN-1.6250	Dust Cover; QFoca; Plug; Hermaphroditic; Aluminum; Hard Anodize; Black; 1-5/8" Shell
QFOCA-DCPHZ-1.6250	Dust Cover; QFoca; Plug; Hermaphroditic; Aluminum; Zinc over Nickel; Olive Drab; 1-5/8" Shell
QFOCA-DCPHR-1.6250	Dust Cover; QFoca; Plug; Hermaphroditic; Aluminum; Zinc over Nickel; Bronze; 1-5/8" Shell
QFOCA-DCPHS-1.6250	Dust Cover; QFoca; Plug; Hermaphroditic; Stainless Steel; Passivated; 1-5/8" Shell
QFOCA-DCRFN-1.6250	Dust Cover; QFoca; Receptacle; Female; Aluminum; Hard Anodize; Black; 1-5/8" Shell
QFOCA-DCRFZ-1.6250	Dust Cover; QFoca; Receptacle; Female; Aluminum; Zinc over Nickel; Olive Drab; 1-5/8" Shell
QFOCA-DCRFR-1.6250	Dust Cover; QFoca; Receptacle; Female; Aluminum; Zinc over Nickel; Bronze; 1-5/8" Shell
QFOCA-DCRFS-1.6250	Dust Cover; QFoca; Receptacle; Female; Stainless Steel; Passivated; 1-5/8" Shell
QFOCA-DCRSN-1.6250	Dust Cover; QFoca; Receptacle; Extended Female; Aluminum; Hard Anodize; Black; 1-5/8" Shell
QFOCA-DCRSZ-1.6250	Dust Cover; QFoca; Receptacle; Extended Female; Aluminum; Zinc over Nickel; Olive Drab; 1-5/8" Shell
QFOCA-DCRSR-1.6250	Dust Cover; QFoca; Receptacle; Extended Female; Aluminum; Zinc over Nickel; Bronze; 1-5/8" Shell
QFOCA-DCRSS-1.6250	Dust Cover; QFoca; Receptacle; Extended Female; Stainless Steel; Passivated; 1-5/8" Shell

QFoca & QFoca-EZ Tools:

PART NUMBER	DESCRIPTION
TK-047	QFoca Tool Kit; 4 Channel QFoca & QFoca-EZ; 1-1/16" Shell (Includes all items below)
PT-145	QFoca 1-1/16" Shell Receptacle Locknut Tightening Tool
PT-451	Fiber Optic Termini Spring Compression Tool (ELink, QFoca, QDrive)
PT-465	QFoca Backnut Tightening C-Jaw Tool (1-1/16" Shell & 1-5/8" Shell)
PT-466	QFoca 1-1/16" Shell Torque Fixture
PT-005	Fiber Optic Termini Crimp Tool, 2mm & 3mm (Hex Sizes .100 / .125 / .147)

PART NUMBER	DESCRIPTION
TK-048	QFoca Tool Kit; 12 Channel QFoca & QFoca-EZ; 1-5/8" Shell (Includes all items below)
PT-146	QFoca 1-5/8" Shell Receptacle Locknut Tightening Tool
PT-451	Fiber Optic Termini Spring Compression Tool (ELink, QFoca, QDrive)
PT-465	QFoca Backnut Tightening C-Jaw Tool (1-1/16" Shell & 1-5/8" Shell)
PT-467	QFoca 1-5/8" Shell Torque Fixture
PT-005	Fiber Optic Termini Crimp Tool, 2mm & 3mm (Hex Sizes .100 / .125 / .147)

PART NUMBER	DESCRIPTION
TK-062	QFoca Tool Kit; 6 Channel QFoca-EZ; 1-1/16" Shell (Includes all items below)
PT-145	QFoca 1-1/16" Shell Receptacle Locknut Tightening Tool
PT-465	QFoca Backnut Tightening C-Jaw Tool (1-1/16" Shell & 1-5/8" Shell)
PT-466	QFoca 1-1/16" Shell Torque Fixture
PT-001	Termini Insertion Tool (2.00mm / 1.25mm Ferrules)
PT-002-H	Termini Removal Tool (2.00mm / 1.25mm Ferrules)
PT-011	Fiber Optic Termini Crimp Tool for M29504/14 & /15 Style Termini, 2mm (Hex Size .094)

PART NUMBER	DESCRIPTION
TK-063	QFoca Tool Kit; 24 Channel QFoca-EZ; 1-5/8" Shell (Includes all items below)
PT-146	QFoca 1-5/8" Shell Receptacle Locknut Tightening Tool
PT-465	QFoca Backnut Tightening C-Jaw Tool (1-1/16" Shell & 1-5/8" Shell)
PT-467	QFoca 1-5/8" Shell Torque Fixture
PT-001	Termini Insertion Tool (2.00mm / 1.25mm Ferrules)
PT-002-H	Termini Removal Tool (2.00mm / 1.25mm Ferrules)
PT-011	Fiber Optic Termini Crimp Tool for M29504/14 & /15 Style Termini, 2mm (Hex Size .094)

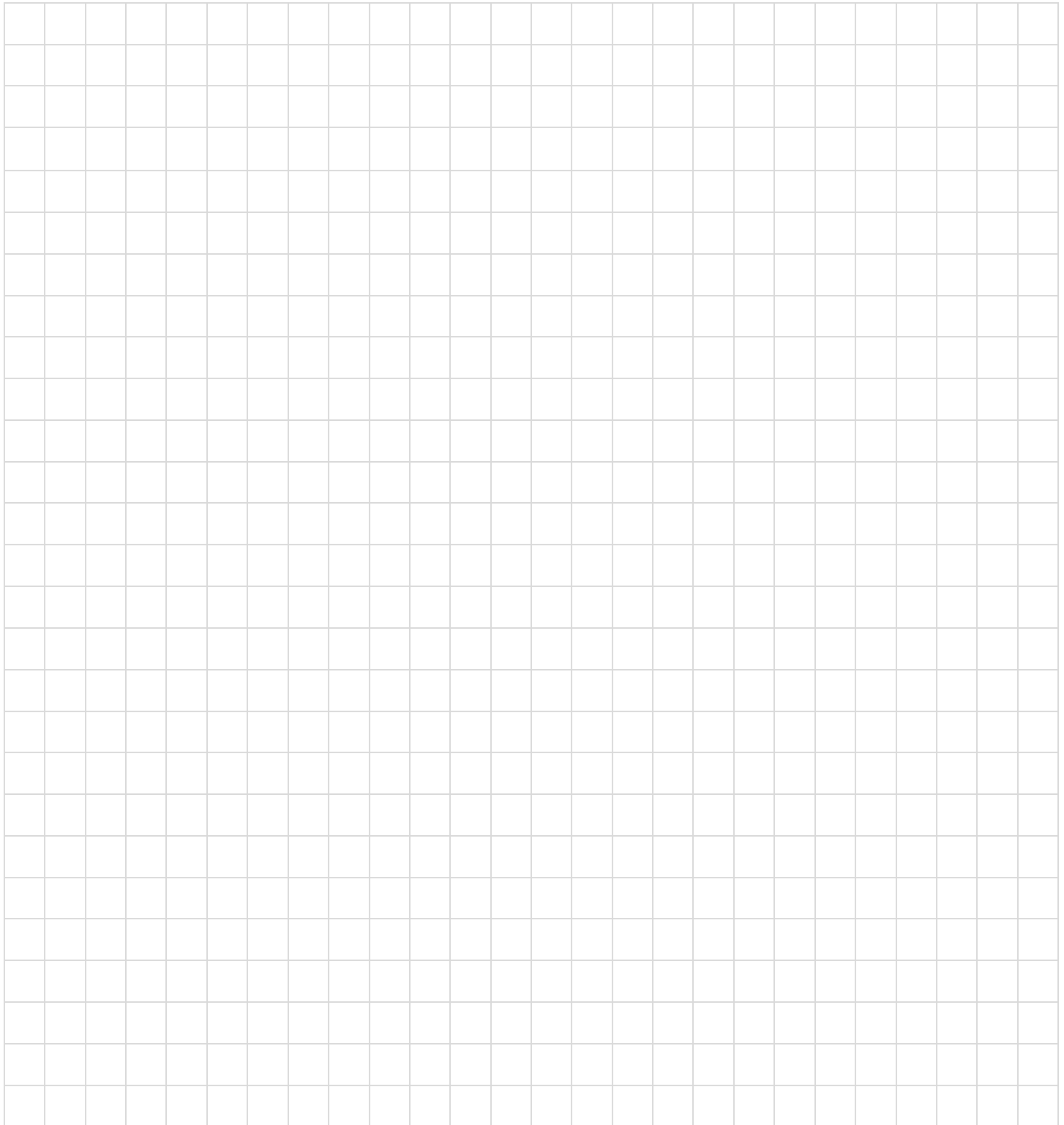
QFoca3 & QDrive Tools:

PART NUMBER	DESCRIPTION
TK-064	QFoca Tool Kit; 6 Channel QFoca3; 1-1/16" Shell (Includes all items below)
PT-145	QFoca 1-1/16" Shell Receptacle Locknut Tightening Tool
PT-465	QFoca Backnut Tightening C-Jaw Tool (1-1/16" Shell & 1-5/8" Shell)
PT-466	QFoca 1-1/16" Shell Torque Fixture
PT-001	Termini Insertion Tool (2.00mm / 1.25mm Ferrules)
PT-002-H	Termini Removal Tool (2.00mm / 1.25mm Ferrules)
PT-005	Fiber Optic Termini Crimp Tool, 2mm & 3mm (Hex Sizes .100 / .125 / .147)

PART NUMBER	DESCRIPTION
TK-065	QFoca Tool Kit; 24 Channel QFoca3; 1-5/8" Shell (Includes all items below)
PT-146	QFoca 1-5/8" Shell Receptacle Locknut Tightening Tool
PT-465	QFoca Backnut Tightening C-Jaw Tool (1-1/16" Shell & 1-5/8" Shell)
PT-467	QFoca 1-5/8" Shell Torque Fixture
PT-001	Termini Insertion Tool (2.00mm / 1.25mm Ferrules)
PT-002-H	Termini Removal Tool (2.00mm / 1.25mm Ferrules)
PT-005	Fiber Optic Termini Crimp Tool, 2mm & 3mm (Hex Sizes .100 / .125 / .147)

PART NUMBER	DESCRIPTION
TK-066	QDrive Tool Kit (Includes all items below)
PT-146	QFoca 1-5/8" Shell Receptacle Locknut Tightening Tool
PT-451	Fiber Optic Termini Spring Compression Tool (ELink, QFoca, QDrive)
PT-465	QFoca Backnut Tightening C-Jaw Tool (1-1/16" Shell & 1-5/8" Shell)
PT-467	QFoca 1-5/8" Shell Torque Fixture
PT-005	Fiber Optic Termini Crimp Tool, 2mm & 3mm (Hex Sizes .100 / .125 / .147)
PT-117	QLink / QDrive Fiber Optic Termini / Size 8 & Size 12 Contact Insertion Tool
PT-449	QLink / QDrive Size 12 Contact Removal Tool
PT-561	Adjustable Hand Crimp Tool; Size 8 & Size 12 Contact
PT-563	Single Position Head; Size 12; Pin and Socket; 14-12 AWG (Use with PT-561)

Notes & Sketches:





ENGINEERED FIBER OPTIC SOLUTIONS

Military Aerospace Shipboard Industrial Mining Transportation Oil & Gas Broadcast Manufacturing Marine Energy Medical

